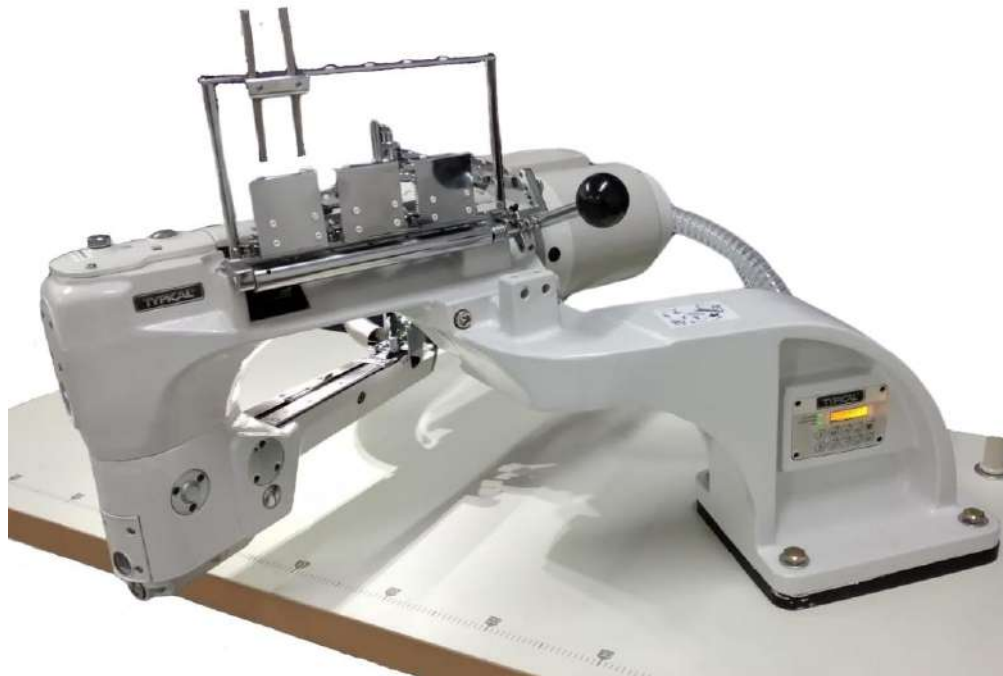


TYPICAL GK399D3-2-480-G2-PLE-ETK

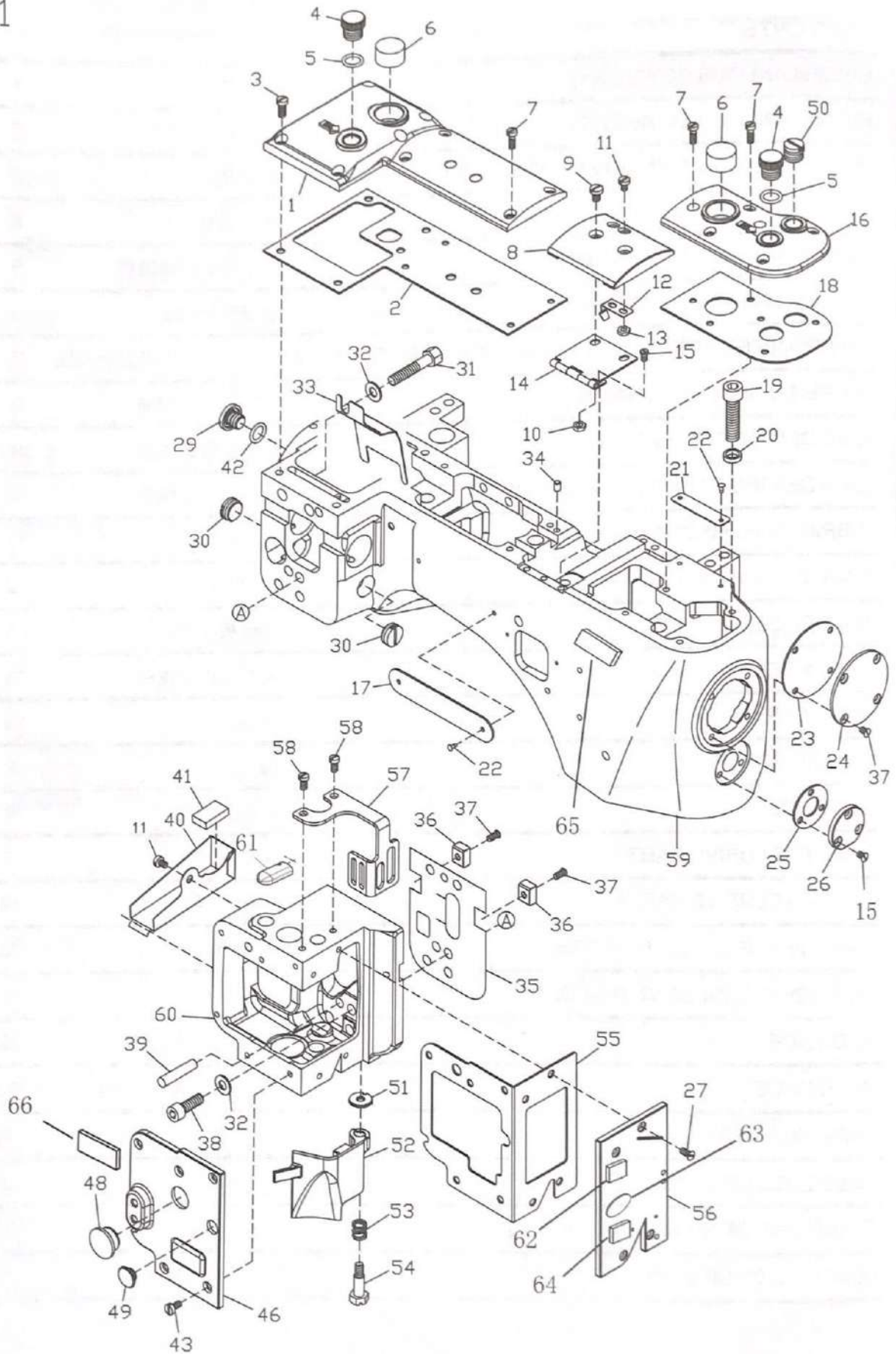
PEÇAS



CONTENTS**目錄**

MISCELLANEOUS COVERS (1)	機殼機構 (1)	1
MISCELLANEOUS COVERS (2)	機殼機構 (2)	2
MISCELLANEOUS THREAD EYELETS	過線機構	3
MISCELLANEOUS BUSINGS	套管機構	4
MAIN SHAFT DEIVING MECHANISM	上主軸與針棒機構	5
PRESSER FOOT MECHANISM	壓腳驅動機構	6
UPPER KNIFE CARRIER AND HOOK DRIVING MECHANISM	上切刀及上勾針驅動機構	7
LOOPER DEIVING MECHANISM	下勾針驅動機構	8
FEED DEIVING MECHANISM	送料具驅動機構	9
FEED DEIVING CONTROL MECHANISM	送料具調節機構	10
LUBRICATING MECHANISM	給油機構	11
12MR EXCLUSIVE PARTS	專用零件	12
/SV/ DEVICE	伺服馬達機構	13
/E/ DEVICE	電動抬壓腳機構	14
ATTACHMENT	附件	15
THREAD STAND	線架組	16
/S/ DEVICE	吸布屑組	17
01MS EXCLUSIVE PARTS	專用零件	18
12MS EXCLUSIVE PARTS	專用零件	19
12HR/12HS EXCLUSIVE PARTS	專用零件	20
12HR/12HS EXCLUSIVE PARTS	專用零件	21
/A/ DEVICE	氣動抬壓腳機構	22
/AS/ DEVICE	吸布屑及氣動抬壓腳組	23
13MR EXCLUSIVE PARTS	專用零件	24
13MS EXCLUSIVE PARTS	專用零件	25
CLASS LIST OF MAIN SPARE PARTS	主零件型號區分	26
SEARCH LIST OF B AND C ITEM	料號B及C索引表	27

1

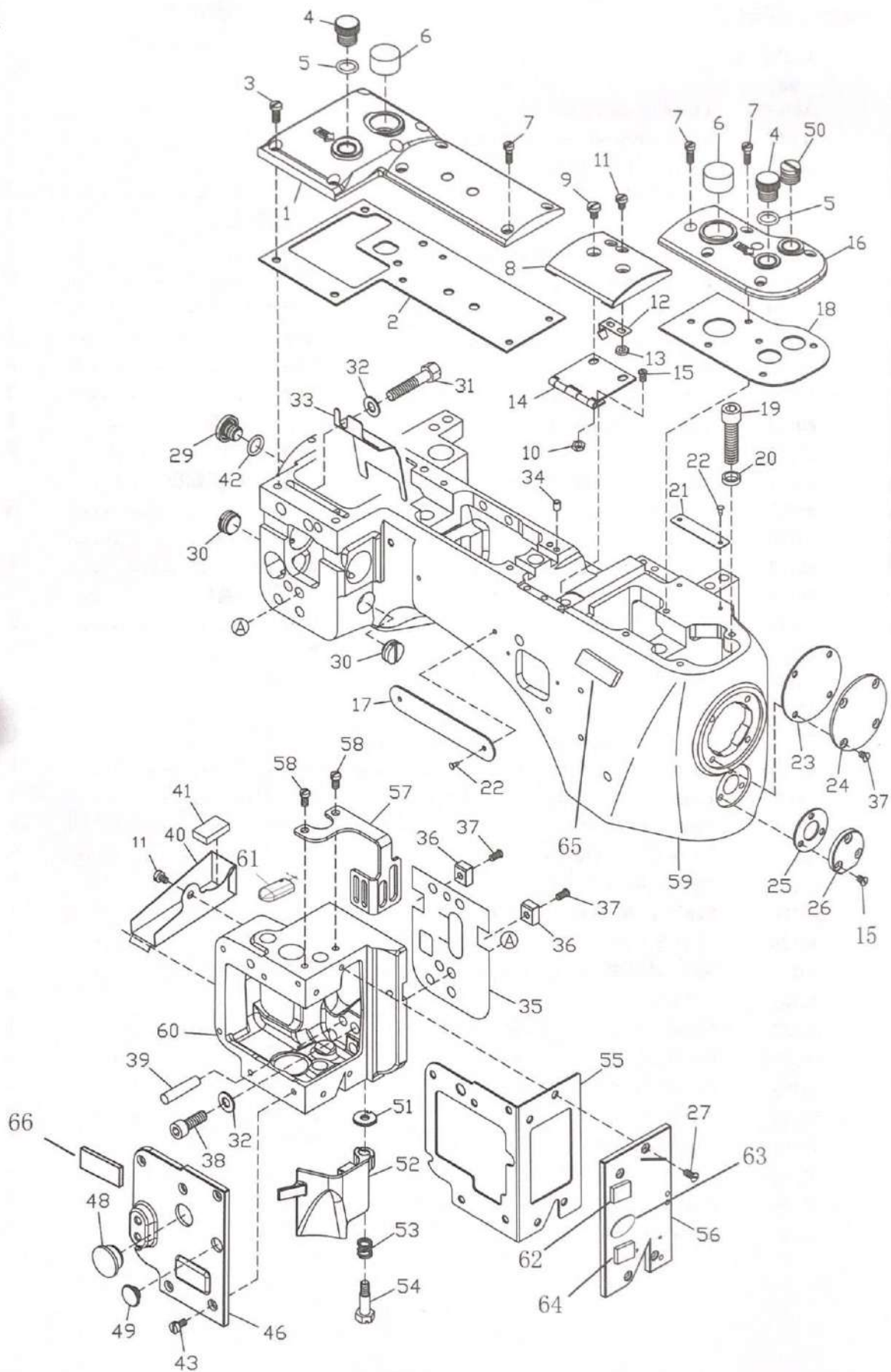


MISCELLANEOUS COVERS(1)

機殼機構(1)

1

Ref No	Parts No	Description	品 名	Amt Req
1	A0101	Crank Chamber Cover.....	曲軸室上蓋.....	1
2	A0102	Crank Chamber Cover Gasket.....	曲軸室墊片.....	1
3	A0103	Screw(11/64-40x10.5).....	螺絲.....	5
4	A0104	Screw(M12-1.75x9).....	螺絲.....	2
5	A0105	O-ring(P10).....	O型橡膠環.....	2
6	A0106	Oil Sight Top Window.....	上油鏡.....	2
7	A0107	Screw(9/64-40x11).....	螺絲.....	10
8	A0108	Top Cover(Middle).....	上蓋(中).....	1
9	A1009	Screw(11/64-40x8).....	螺絲.....	2
10	A0110	Nut.....	螺帽.....	2
11	A0111	Screw(9/64-40x5.6).....	螺絲.....	3
12	A0112	Top Cover(Middle) Spring.....	上蓋(中)彈簧.....	1
13	A0113	Nut.....	螺帽.....	2
14	A0114	Top Cover(Middle) Hinge.....	上蓋板(中)活動板.....	1
15	A0238	Screw(9/64-40x8).....	螺絲.....	12
16	A0116	Top Cover(Front).....	上蓋(前).....	1
17	A0117	Brand Name Sticker.....	銘牌.....	1
18	A0118	Top Cover(Front) Gasket.....	上蓋墊片(前).....	1
19	A0119	Screw(5/16-24x32).....	螺絲.....	3
20	A0120	Washer.....	墊片.....	3
21	A0121	Serial Number Plate.....	號碼牌.....	1
22	A0122	Rivet.....	鉚釘.....	4
23	A0123	Machine Frame End Cover Gasket.....	防油墊片.....	1
24	A0124	Machine Frame End Cover.....	防油蓋.....	1
25	A0125	Looper Lever Shaft Cover Gasket.....	防油墊片.....	1
26	A0126	Looper Lever Shaft Cover.....	防油蓋.....	1
27	A0127	Screw(9/64-40x8).....	螺絲.....	4
28	A1321	Sewing Head Cover.....	護蓋.....	1
29	A0129	Drain Hole Screw(3/8-24x8).....	螺絲.....	1
30	A0130	Plug Screw(M 14-1x4.8).....	止油螺絲.....	2
31	A0131	Screw(1/4-28x32.5).....	螺絲.....	2
32	A0132	Washer.....	墊片.....	3
33	A0133	Crank Chamber Cover Oil Shield.....	防油鐵片.....	1
34	A0134	Oil Seal Plug.....	橡膠塞.....	1
35	A0135	Sewing Head Oil Defense.....	防油板.....	1
36	A0136	Sewing Head Key.....	機殼固定塊.....	2
37	A0115	Screw(9/64-40x6).....	螺絲.....	1
38	A0138	Screw(1/4-28x20).....	螺絲.....	1
39	A0139	Pin.....	插銷.....	1
40	A0140	Knife Driving Connection Oil Guard.....	油槽.....	1

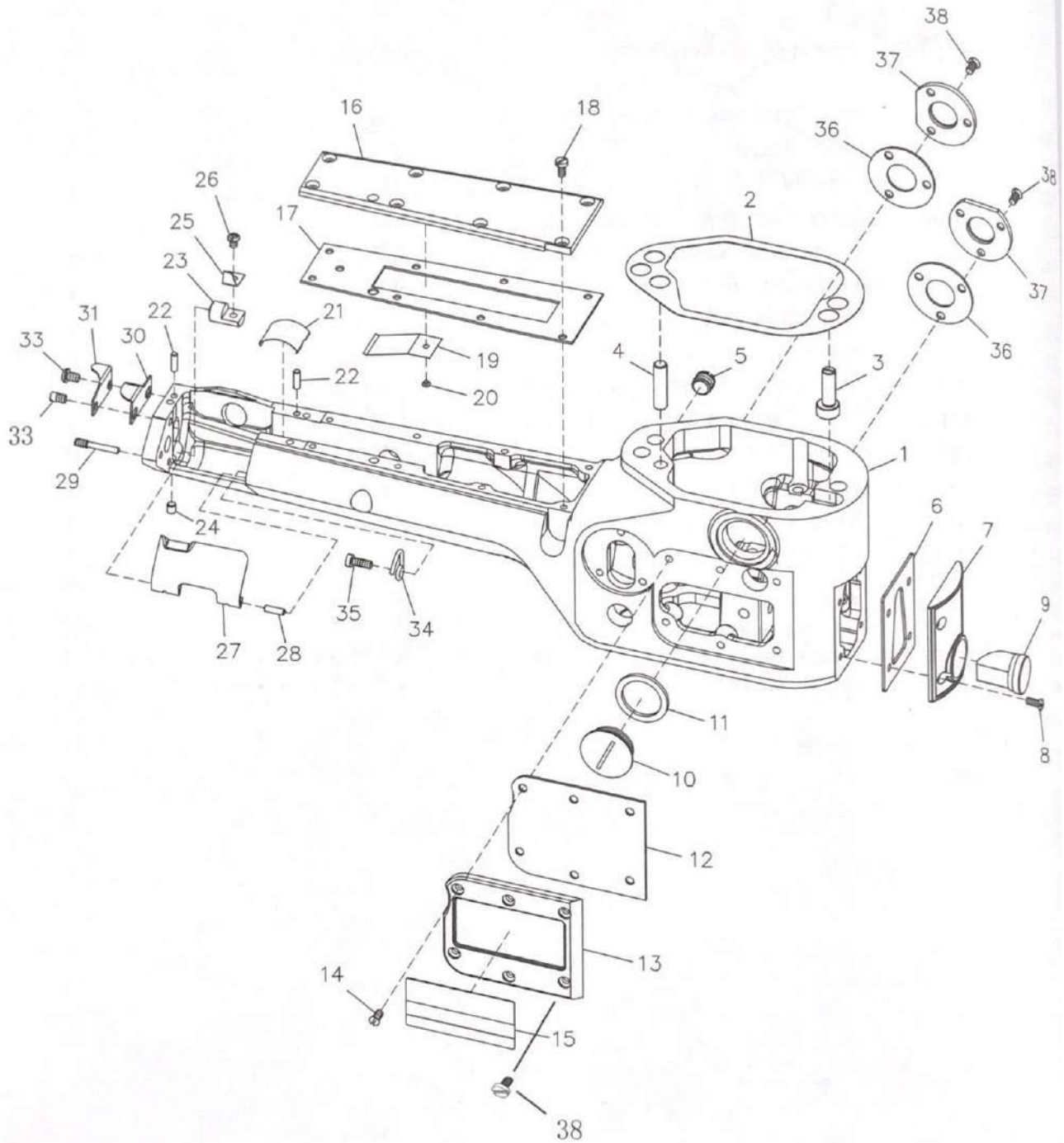


MISCELLANEOUS COVERS(1)

機殼機構(1)

1

<u>Ref</u> <u>No</u>	<u>Parts</u> <u>No</u>	<u>Description</u>	<u>品 名</u>	<u>Amt</u> <u>Req</u>
41	A0141	Knife Driving Connection Felt.....	油棉墊.....	1
42	A0128	O-ring(P10).....	O型橡膠環.....	1
43	A0143	Screw(9/64-40*8).....	螺絲.....	6
44				1
45				1
46	A0146	Sewing Head Cover(Left).....	車頭蓋.....	1
47				1
48	A0148	Seal Plug.....	油塞.....	1
49	A0149	Seal Plug.....	油塞.....	1
50	A0150	Screw(M12-1.75x9).....	螺絲.....	1
51	A0151	Frame Chip Guard Washer.....	墊片.....	1
52	A0152	Frame Chip Guard.....	防護板.....	1
53	A0153	Frame Chip Guard Spring.....	彈簧.....	1
54	A0154	Screw(M5-0.8X8.7).....	螺絲.....	1
55	A0155	Sewing Head Cover Gasket.....	止油墊片.....	1
56	A0156	Sewing Head Cover Gasket(Front).....	車頭前蓋.....	1
57	A0157	Needle Thrad Take-up Guard.....	護蓋.....	1
58	A0158	Screw(M4-0.7x8).....	螺絲.....	2
59	A0159	Machine Frame.....	機殼.....	1
60	A0160	Machine Frame.....	機殼.....	1
61	A0161	Automotive Lighting.....	車燈.....	1
62	A0162	QR Code.....	二維碼.....	1
63	A0163	Needle Identiflcation.....	機針標識.....	1
64	A0164	Warning Signs.....	警告標識.....	1
65	A0165	Safety Label.....	安全標識貼.....	1
66	A0166	Square Plate.....	方形銘牌.....	1



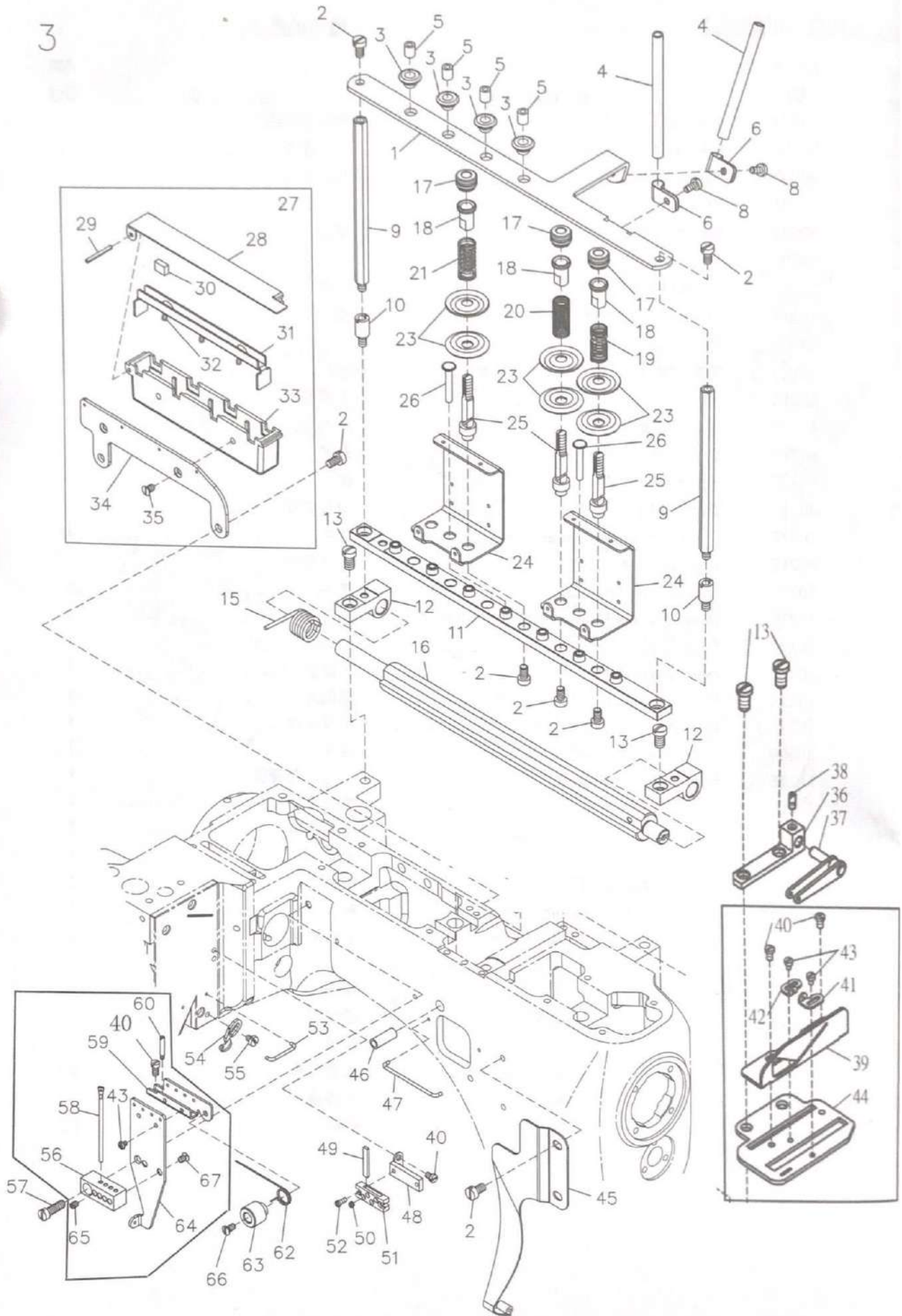
MISCELLANEOUS COVERS (2)

機殼機構 (2)

2

<u>Ref</u>	<u>Parts</u>			<u>Amt</u>
<u>No</u>	<u>No</u>	<u>Description</u>	<u>品 名</u>	<u>Req</u>
1	A0201	Sewing Cylinder.....	圓筒部機殼.....	1
2	A0202	Sewing Cylinder Gasket.....	止油銅墊片.....	1
3	A0203	Alignment Pin.....	調節插銷.....	1
4	A0204	Knock Pin.....	頂出銷.....	1
5	A0205	Screw(3/8-24x6).....	螺絲.....	1
6	A0206	Seal Gasket.....	止油墊片.....	1
7	A0207	Cylinder Frame Cover(Front).....	前蓋.....	1
8	A0115	Screw(9/64-40x6).....	螺絲.....	1
9	A0209	Oil Gauge.....	油表.....	1
10	A0210	Screw(M22-1.5x5.8).....	螺絲.....	1
11	A0211	Gasket.....	橡膠墊片.....	1
12	A0212	Seal Gasket.....	止油墊片.....	1
13	A0213	Cylinder Frame Cover(Left).....	左蓋.....	1
14	A0137	Screw(9/64-40x7).....	螺絲.....	6
15	A0215	Model Plate.....	型號銘牌.....	1
16	A0216	Cylinder Frame Cover(Upper).....	上蓋.....	1
17	A0217	Seal Gasket.....	止油墊片.....	1
18	A0218	Screw(1/8-44x6.5).....	螺絲.....	8
19	A0219	Dust Defender(Upper).....	防塵蓋(上).....	1
20	A0220	Screw(3/32-56x1.7).....	螺絲.....	1
21	A0221	Dust Defender(Lower).....	防塵蓋(下).....	1
22	A0222	Pin.....	插銷.....	2
23	A0223	Looper Cover Spring Support.....	彈簧片座.....	1
24	A0508	Screw(11/64-40x4).....	螺絲.....	1
25	A0225	Looper Cover Spring.....	下勾針蓋彈簧片.....	1
26	A0226	Screw(9/64-40x4.7).....	螺絲.....	1
27	A0227	Lopper Cover.....	下勾針蓋.....	1
28	A0228	Pin.....	插銷.....	1
29	A0229	Screw(9/64-40x6).....	螺絲.....	1
30	A0230	Chain-off Cutting Knife.....	割刀.....	1
31	A0231	Chain-off Cutting Knife Guard.....	割刀固定片.....	1
32				
33	A0115	Screw(9/64-40*6).....	螺絲.....	2
34	A0234	Looper Thread Guide Wire.....	過線圈.....	1
35	A0143	Screw(9/64-40x7).....	螺絲.....	1
36	A0236	Feed Drive Shaft Cover Gasket.....	止油墊片.....	2
37	A0237	Feed Drive Shaft Cover.....	止油蓋.....	2
38	A0238	Screw(9/64-40x8).....	螺絲.....	12

3



MISCELLANEOUS THREAD EYELETS

過線機構

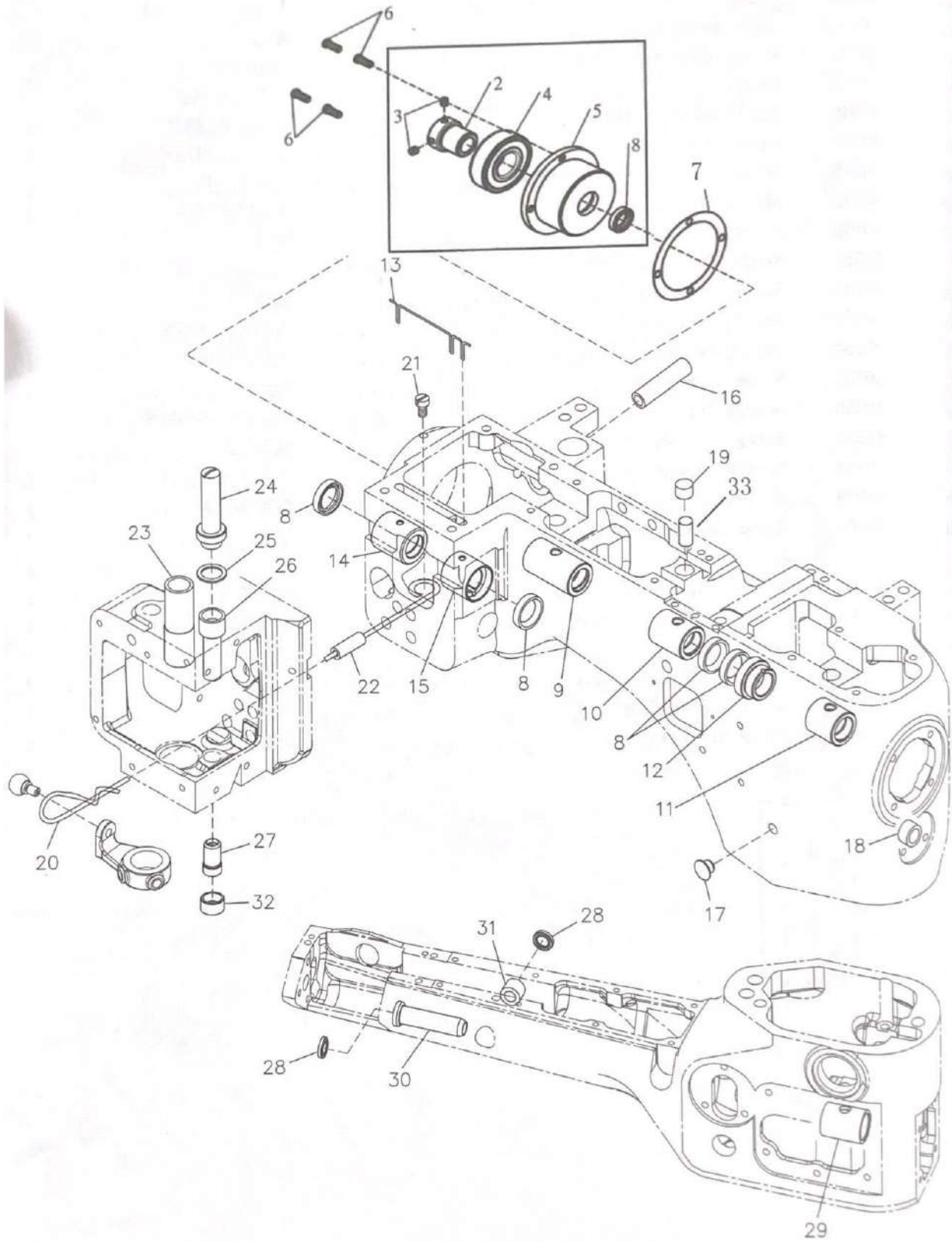
3

Ref	Parts	Description	品 名	Amt
No	No			Req
1	A0301	Thread Guide Plate.....	線架板.....	1
2	A1009	Screw (11/64-40x8).....	螺絲.....	12
3	A0303	Thread Evelet Bushing.....	過線孔套.....	4
4	A0304	Thread Pipe (Long).....	過線管(長).....	2
5	A0305	Thread Evelet.....	過線孔.....	4
6	A0306	Thread Pipe Stav.....	管束.....	2
7				
8	A0158	Screw(M4-0.7x8).....	螺絲.....	2
9	A0309	Thread Guide Plate Support.....	線架板支撐棒.....	2
10	A0310	Screw (11/64-40x7).....	螺絲.....	2
11	A0311	Thread Tension Support.....	上線張力固定座.....	1
12	A0312	Thread Tension Support Bracket.....	上線張力固定座支架.....	2
13	A0313	Screw (7/32-32x9.5).....	螺絲.....	4
14				
15	A0315	Tension Release shaft spring.....	張力釋放軸彈簧.....	1
16	A0316	Tension Release Shaft.....	張力釋放軸.....	1
17	A0317	Nut.....	彈簧調整扭.....	6
18	A0318	Tension Spring Bushing.....	張力彈簧調整固定軸.....	6
19	A0319	Looper Thread Tension Spring.....	下勾針張力彈簧.....	1
20	A0320	Top Cover Thread Tension Spring.....	上飾線張力彈簧.....	1
21	A0321	Needle Thread Tension Spring.....	針線張力彈簧.....	4
22				
23	A0323	Thread Tension Disc.....	張力調整盤.....	12
24	A0324	Thread Tension Disc Evelet.....	張力調整過線架.....	3
25	A0325	Tension Post(Short).....	張力彈簧支柱(短).....	6
26	A0326	Tension Release Pin.....	張力釋放插銷.....	7
27	A0327	SPDevice. C. Set.....	針線吸油組.....	1
28	A0328	Oil Cup Lip.....	矽油儲存槽蓋.....	1
29	A0329	Hinge Pin.....	鉸鏈插銷.....	1
30	A0330	SP Felt.....	SP吸油氈.....	4
31	A0331	SP Felt Stav.....	SP吸油氈支柱.....	1
32	A0332	Oil Wick.....	油芯.....	1
33	A0333	SP Container.....	矽油儲存槽.....	1
34	A0334	SP Container Support.....	矽油儲存槽固定座.....	1
35	A0127	Screw(9/64-40x8).....	螺絲.....	2
36	A0336	Thread Take-up Evelet Holder.....	提線杆托架.....	1
37	A0337	Thread Take-up Evelet.....	提線杆.....	1
38				
39	A0339	Looper Thread Take-up Guide.....	下勾針提線杆護架.....	1
40	A0340	Screw(1/8-44x4.5).....	螺絲.....	5

MISCELLANEOUS THREAD EYELETS

過線機構 3

<u>Ref</u>	<u>Parts</u>	<u>Description</u>	<u>品 名</u>	<u>Amt</u>
<u>No</u>	<u>No</u>			<u>Req</u>
41	A0341	Looper Thread Take-up Evelet (Front).....	下勾針提線杆 (前).....	1
42	A0342	Looper Thread Take-up Evelet (Rear).....	下勾針提線杆 (後).....	1
43	A0343	Screw (3/32-56x3.5).....	螺絲.....	4
44	A0344	Evelet Supporting Plate.....	提線杆固定板.....	1
45	A0345	Looper Thread Guard.....	下勾針線導架.....	1
46	A0346	Top Cover Thread Pipe.....	上飾線過線導管.....	1
47	A0347	Looper Thread Guide Wire (Unner).....	下勾針線導架金屬線.....	1
48	A0348	Needle Thread St rike-off Pin Hol der Plate.....	過線張力固定板.....	1
49	A0349	Needle Thread Strike-off Pin.....	過線張力調整片.....	4
50	A0350	Screw (1/8-44x2).....	螺絲.....	4
51	A0351	Needle Thread Strike-off Pin Holder Bracket.....	過線張力因定架.....	1
52	A0352	Screw (3/32-56x6).....	螺絲.....	2
53	A0353	Needle Thread Guide Wire.....	針線導架金屬線.....	1
54	A0354	Head Cover Thread Evelet.....	上飾線過線片.....	1
55	A0355	Screw (1/8-44x4.5).....	螺絲.....	1
56	A0356	Needle Thread Evelet Holder.....	針線張力調整杆座.....	1
57	A0357	Screw (11/64-40x12).....	螺絲.....	1
58	A0358	Needle Thread Evelet.....	針線張力調整杆.....	4
59	A0359	Stitch Unlocker Mounting Bracket.....	跳線彈簧架.....	1
60	A0360	Screw (3/32-56x3).....	螺絲.....	1
61				1
62	A0362	Stitch Unlocking Spring.....	跳線彈簧.....	1
63	A0363	Stitch Unlocking Sprinp Holder.....	跳線彈簧調整固定鉗.....	1
64	A0364	Needle Bracket.....	過線支撐架.....	1
65	A0365	Screw (1/8-44x4).....	螺絲.....	4
66	A0515	Screw (1/8-44x7.5).....	螺絲.....	1
67	A0367	Screw (1/8-44x4.3).....	螺絲.....	2



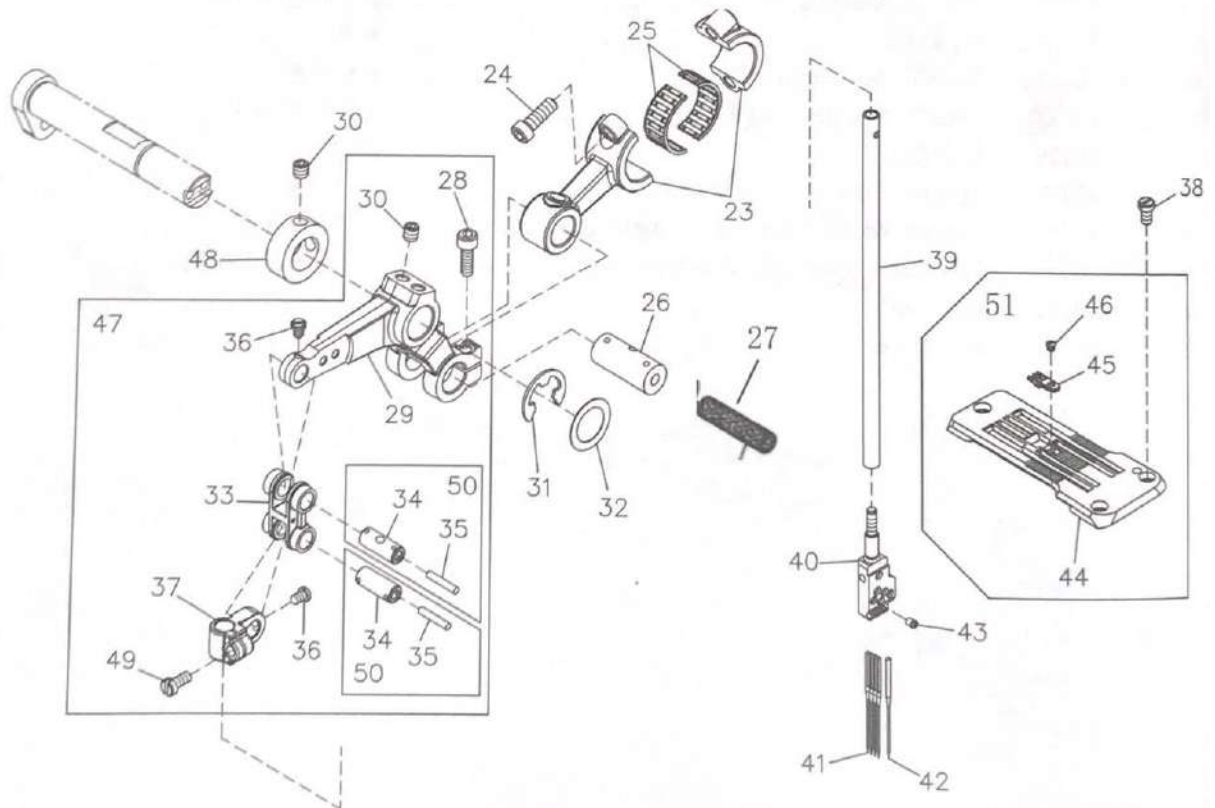
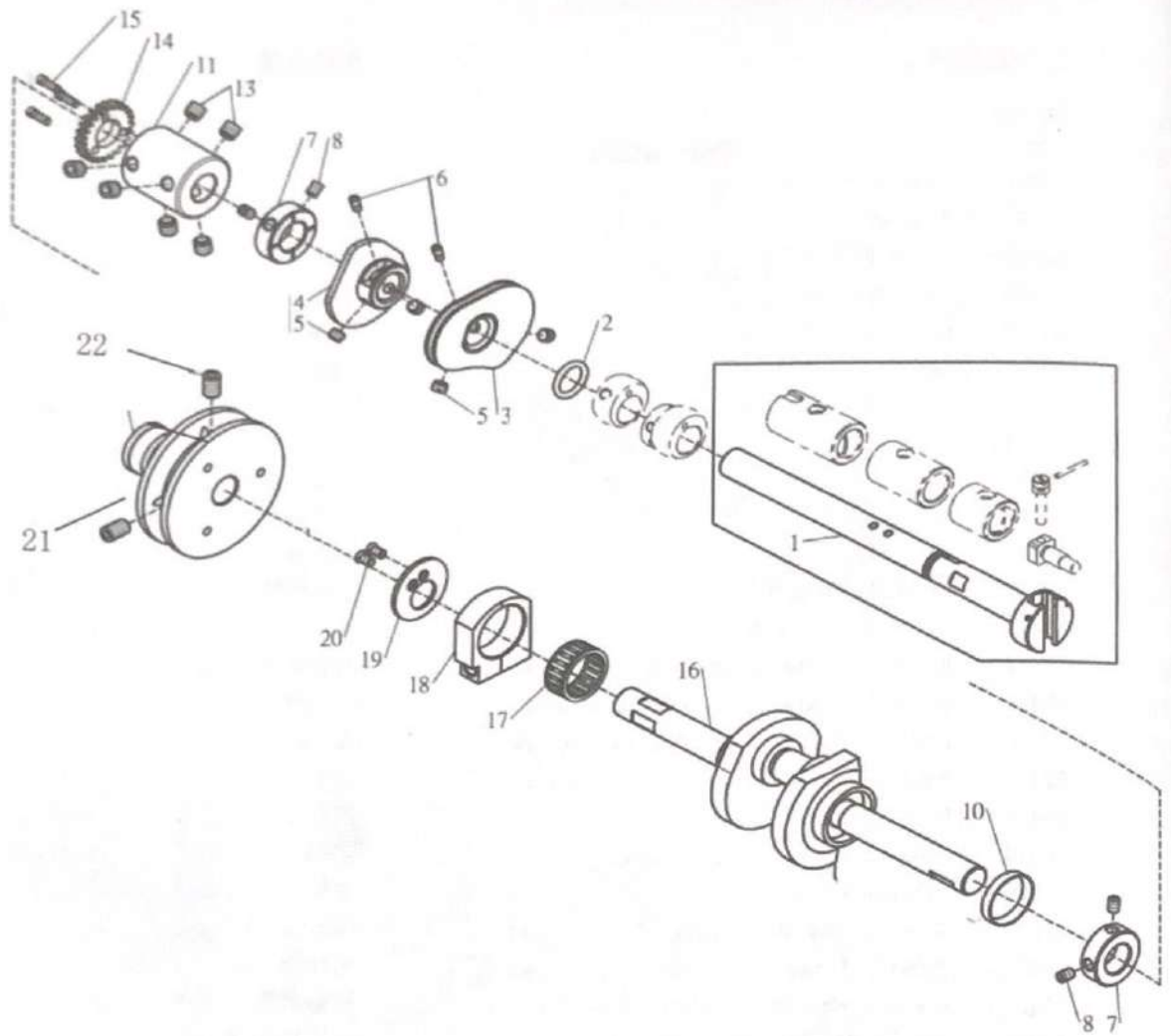
MISCELLANEOUS BUSHINGS

套管機構

4

<u>Ref</u>	<u>Parts</u>			<u>Amt</u>
<u>No</u>	<u>No</u>	<u>Description</u>	<u>品 名</u>	<u>Req</u>
1	A0401	Adapter, C. Set.....	軸承組.....	1
2	A0402	Adapter.....	軸承軸心.....	1
3	A0403	Screw (M5-0.8x 8).....	螺絲.....	2
4	A0404	Ball Bearing.....	軸承.....	1
5	A0405	Bearing Housing.....	軸承固定室.....	1
6	A0406	Screw (3/16-32x11.5).....	螺絲.....	3
7	A0407	Oil Proof Pad.....	防油墊.....	2
8	A0408	Oil Seal.....	油封.....	5
9	A0409	Main Shaft Bushing.....	主軸套管.....	1
10	A0410	Main Shaft Bushing.....	主軸套管.....	1
11	A0411	Main Shaft Bushing.....	主軸套管.....	1
12	A0412	Main Shaft Bushing.....	主軸套管.....	1
13	A0413	Oil Wick (Laced Wire)).....	油芯.....	1
14	A0414	Knife Driving Lever Bushing (Rear).....	銅套管(後).....	1
15	A0415	Knife Driving Lever Bushing (Front).....	銅套管(前).....	1
16	A0416	Presser Foot Lifter Stop Plunger Bushing.....	襯套.....	1
17	A0417	Seal Plug.....	油塞.....	1
18	A0418	Bushing.....	襯套.....	1
19	A0419	Plug.....	塞頭.....	1
20	A0420	Oilseed Cotton.....	油棉.....	1
21	A1009	Screw (11/64-40x8).....	螺絲.....	1
22	A0422	Plastic Pipe.....	塑膠管.....	1
23	A0423	Presser Bar Bushing.....	壓腳套管.....	1
24	A0424	Needle Bar Bushing (Upper) Lid.....	針柱套管(上)蓋.....	1
25	A0425	Gasket.....	墊片.....	1
26	A0426	Needle Bar Bushing (Upper).....	針柱套管(上).....	1
27	A0427	Needle Bar Bushing (Lower).....	針柱套管(下).....	1
28	A0428	Oil Seal.....	油封.....	2
29	A0429	Looper Rocker Shaft Bushing (Front).....	下勾針搖杆軸套管(前).....	1
30	A0430	Looper Rocker Shaft Bushing (Rear).....	下勾針搖杆軸套管(後).....	1
31	A0431	Feed Bar Eccentric Pin Bushing.....	送料具偏心銷套管.....	1
32	A0432	Oil Seal.....	油封.....	1
33	A0433	Oil Core.....	油芯.....	3

5

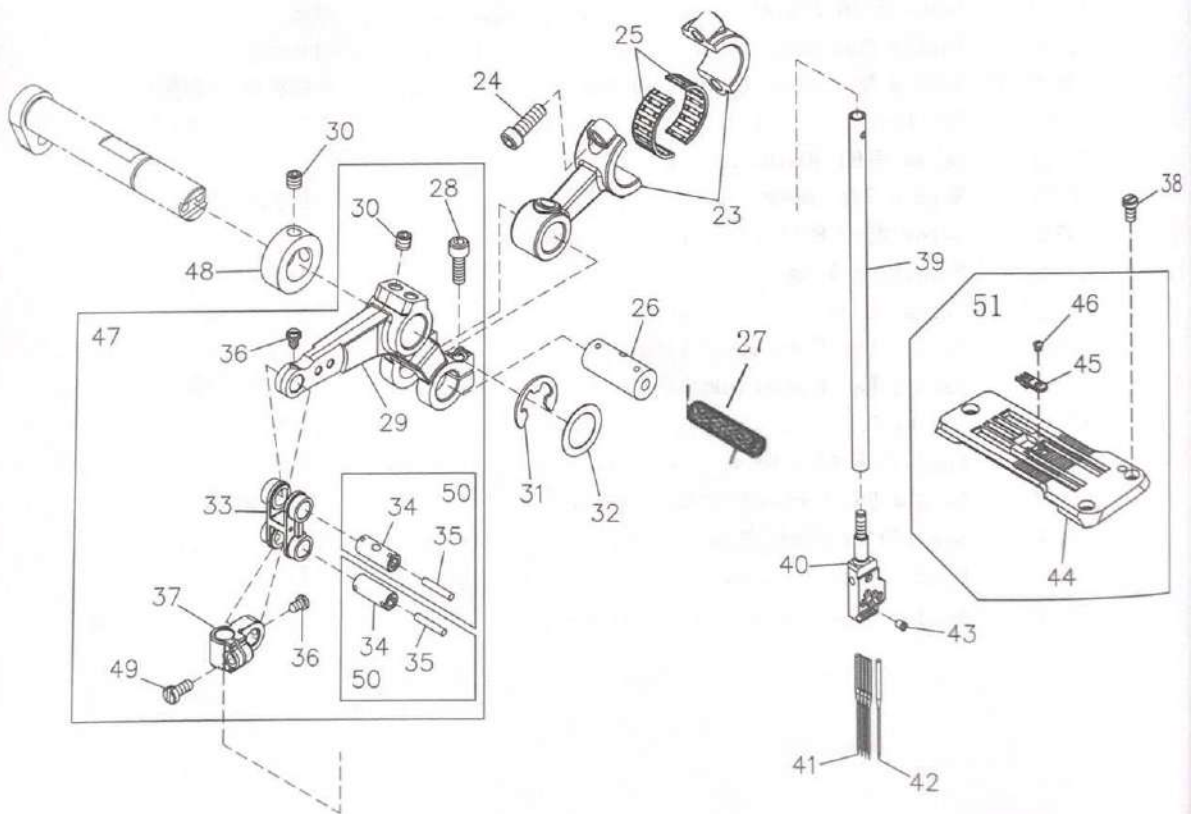
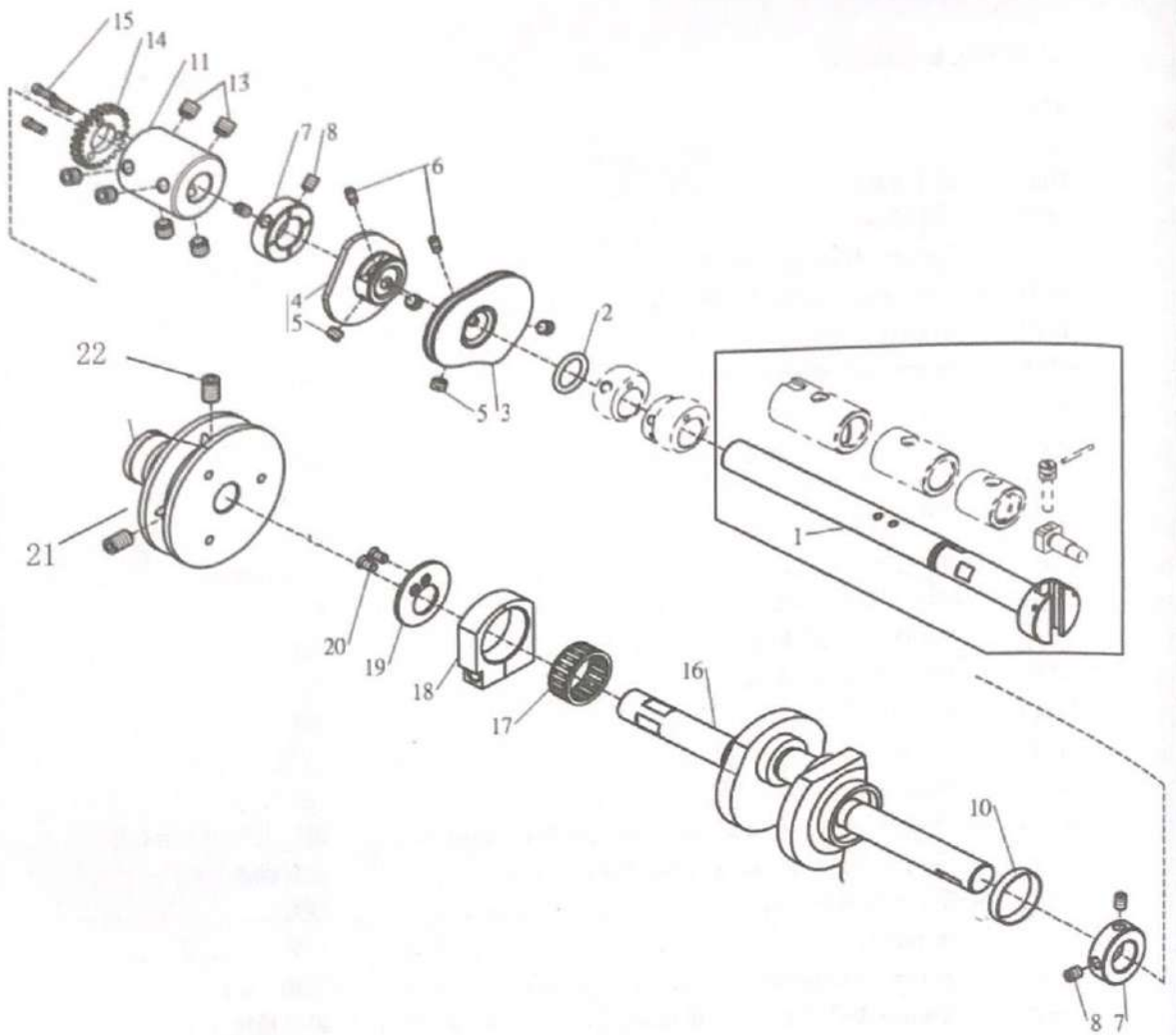


MAIN SHAFT DEIVING MECHANISM

上主軸與針棒機構 5

<u>Ref</u>	<u>Parts</u>			<u>Amt</u>
<u>No</u>	<u>No</u>	<u>Description</u>	<u>品 名</u>	<u>Req</u>
1	A0501	Oil Seal.....	油封.....	1
2	A0502	Oil Seal.....	油封.....	1
3	A0503	Looper Thread Take-Up.....	底線提線凸輪.....	2
4	A0504	Top Cover Thread Take-Up.....	上飾線提線凸輪.....	1
5	A0505	Screw(3/16-32x3.7).....	螺絲.....	2
6	A0506	Screw(1/8-44x4).....	螺絲.....	1
7	A0507	Collar.....	軸環.....	2
8	A0508	Screw(11/64-40x6).....	螺絲.....	4
9	A0338	Screw(M4-0.7x 4).....	螺絲.....	4
10	A0510	Screw(M3-0.5x 10).....	螺絲.....	2
11	A0511	Main Shaft Coupling.....	主軸連接套.....	1
12	A0512	Screw(1/4-28x8.3).....	螺絲.....	2
13	A0513	Screw(1/4-28x6.4).....	螺絲.....	4
14	A0514	Pump Driving Gear.....	泵浦九齒.....	1
15	A0515	Screw(1/8-44x7.5).....	螺絲.....	3
16	A1307	Crankshaf.....	曲軸.....	1
17	A0517	Needle Bearing.....	滾針軸承.....	1
18	A0518	Thread Carrier and Hook Driving Rod(Right).....	驅動刀組連杆軸承套.....	1
19	A0519	Needle Bearing Retaining Plate.....	滾針軸承扣板.....	1
20	A0238	Screw(9/64-40x6).....	螺絲.....	2
21	A0521	Handwheel.....	手輪.....	1
22	A0522	Screw(1/4-28*10).....	螺絲.....	2
23	A0523	Needle Bar Connecting Rod.....	針柱連杆.....	1
24	A0524	Screw(3/16-32x14).....	螺絲.....	2
25	A0525	Needle Bearing.....	滾針軸承.....	1
26	A0526	Needle Bar Lever Connecting Rod Pin.....	針柱杠杆連杆插銷.....	1
27	A0527	Oil Core.....	油芯.....	1
28	A0704	Screw(9/64-40x10).....	螺絲.....	2
29	A0529	Needle Bar Lever.....	針柱杠杆.....	4
30	A0530	Screw(M5-0.8x5).....	螺絲.....	1
31	A0531	Retaining Ring.....	C形扣環.....	1
32	A0532	Thrust Ring.....	墊片.....	1
33	A0533	Needle Bar Connecting Link.....	針柱連杆.....	1
34	A0534	Needle Bar Connecting Link Pin.....	針柱連杆插銷.....	2
35	A0535	Oil Wick.....	吸油繩.....	2
36	A0536	Screw(1/8-44x4.5).....	螺絲.....	2
37	A0537	Needle Bar Connecting Bracket.....	針柱連結架.....	1
38	A0538	Screw(9/64-40x6.5).....	螺絲.....	3
39	A0539	Needle Bar.....	針柱.....	1
40	A0540	Needle Clamp.....	針釰.....	1

5

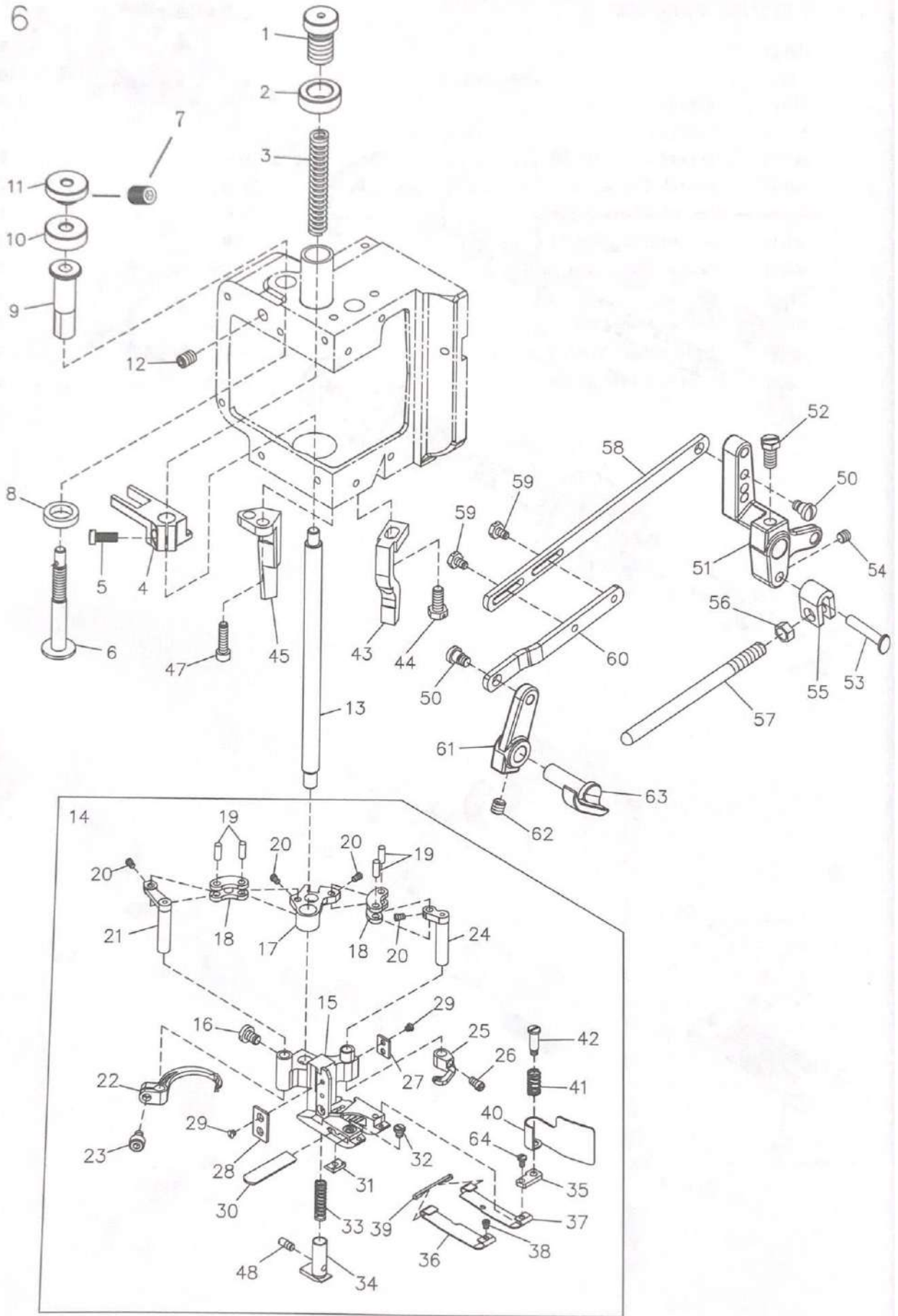


MAIN SHAFT DEIVING MECHANISM

上主軸與針棒機構 5

<u>Ref</u>	<u>Parts</u>			<u>Amt</u>
<u>No</u>	<u>No</u>	<u>Description</u>	<u>品 名</u>	<u>Req</u>
41	A0541	Needle.....	擊金.....	4
42	A0542	Retainer.....	假針.....	1
43	A0543	Screw(3/32-56x2.5).....	螺絲.....	5
44	A0544	Stitch Plate.....	針板.....	1
45	A0545	Stitch Plate Tongue.....	針板舌片.....	1
46	A0546	Screw(3/32-56x2.8).....	螺絲.....	1
47	A0547	Needle Bar Lever, C. Set.....	針柱杠杆組.....	1
48	A0548	Collar.....	軸環.....	1
49	A0143	Screw(9/64-40*8).....	螺絲.....	1
50	A0550	Needle Bar Connecting Link Pin, C. Set.....	針柱連杆插銷組.....	2
51	A0551	Stitch Plate, C. Set.....	針板組(單切52).....	1

6



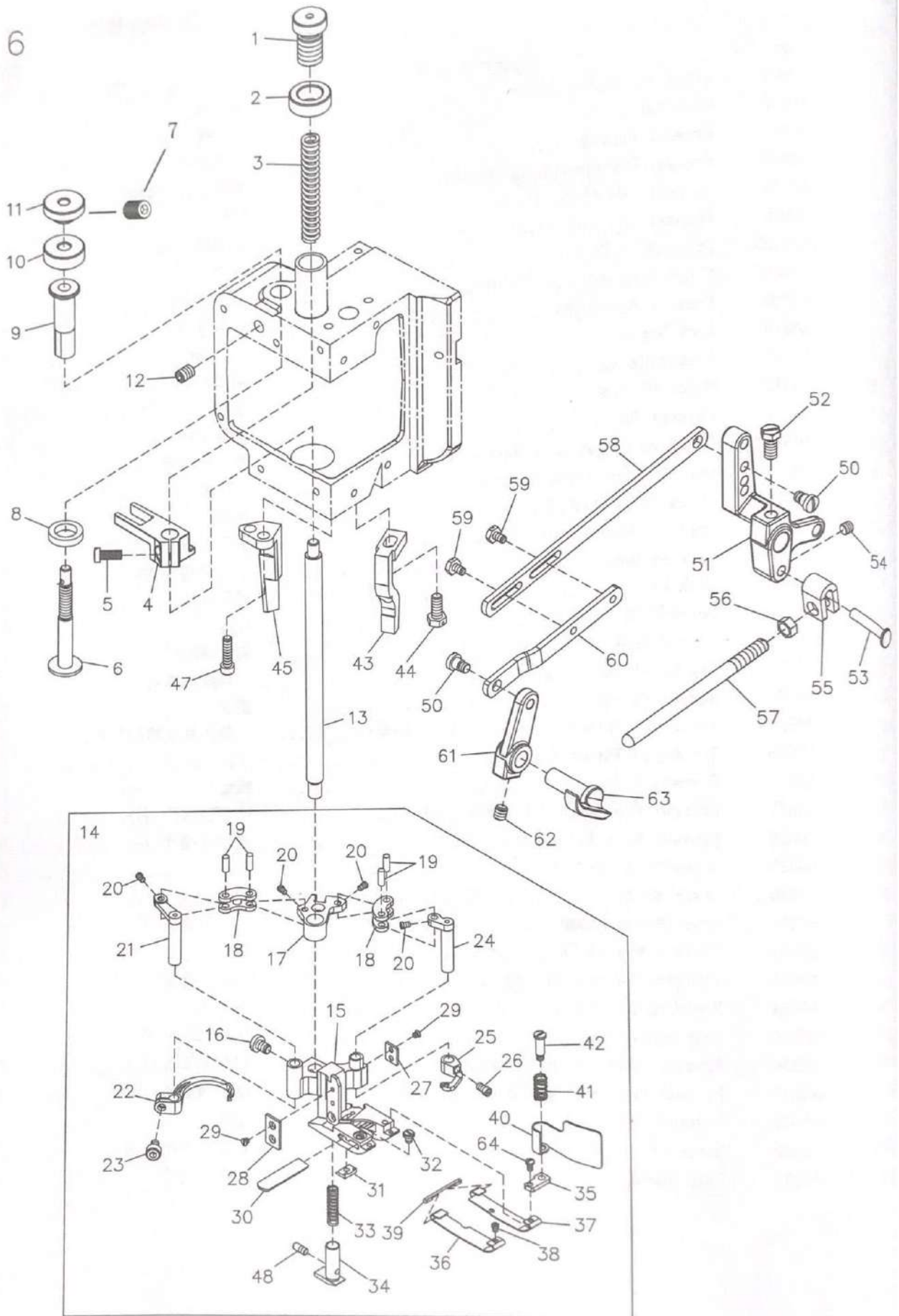
PRESSER FOOT MECHANISM

壓腳驅動機構

6

<u>Ref</u>	<u>Parts</u>	<u>Description</u>	<u>品 名</u>	<u>Amt</u>
<u>No</u>	<u>No</u>			<u>Req</u>
1	A0601	Adjusting Screw(M12-1x17).....	調節螺絲.....	1
2	A0602	Lock Nut.....	保險螺帽.....	1
3	A0603	Presser Spring.....	壓腳彈簧.....	1
4	A0604	Presser Bar Connecting Bracket.....	壓腳推杆連結架.....	1
5	A0103	Screw(11/64-40x10.5).....	螺絲.....	1
6	A0606	Presser Foot Adjusting Screw.....	壓腳調節螺絲.....	1
7	7870229	Screw(M4-0.7*4).....	螺絲.....	1
8	A0608	Connecting Bracket Cushion.....	連結架襯墊.....	1
9	A0609	Presser Bar Guide.....	壓腳導件.....	1
10	A0610	Lock Nut.....	保險螺帽.....	1
11	A0611	Adjusting Nut.....	調節螺帽.....	1
12	A0612	Screw(M6-1x8).....	螺絲.....	1
13	A0613	Presser Bar.....	壓腳推杆.....	1
14	A0614	One Side Cut Presser Foot, C. Set.....	單切壓腳組.....	1
15	A0615	One Side Cut Presser Foot.....	單切壓腳.....	1
16	A0616	Screw(11/64-40x6.5).....	螺絲.....	1
17	A0617	Carrier/Hook Driving Segment.....	上勾針驅動扇形片.....	1
18	A0618	Carrier/Hook Driving Lever Link.....	上勾針驅動連杆.....	2
19	A0619	Link Pin.....	連杆插銷.....	4
20	A0620	Screw(3/32-56x3.3).....	螺絲.....	4
21	A0621	Thread Hook Driving Lever.....	勾針驅動杠杆.....	1
22	A0622	Top Cover Thread Hook.....	上飾線過線勾.....	1
23	A0623	Screw(9/64-40x7).....	螺絲.....	1
24	A0624	Top Cover Thread Carrier Driving Lever.....	上飾線托架驅動杠杆.....	1
25	A0625	Top Cover Thread Carrier.....	上飾線托架.....	1
26	A0626	Screw(1/8-44x5.3).....	螺絲.....	1
27	A0627	Presser Foot Attach Piece(Right).....	壓腳連接片(右).....	1
28	A0628	Presser Foot Attach Piece(Left).....	壓腳連接片(左).....	1
29	A0629	Screw(3/32-56x2.5).....	螺絲.....	4
30	A0630	Lower Knife.....	下切刀.....	1
31	A1218	Lower Knife Clamp.....	下切刀夾板.....	1
32	A0632	Screw(1/8-44x3.5).....	螺絲.....	1
33	A0633	Yielding Section Spring.....	小壓具彈簧.....	1
34	A0634	Yielding Section.....	小壓具.....	1
35	A0635	Chip Guard Plate.....	切角防護片座.....	1
36	A0636	Presser Foot Spring Plate(Left).....	壓腳彈簧片(左).....	1
37	A0637	Presser Foot Spring Plate(Right).....	壓腳彈簧片(右).....	1
38	A0638	Screw(3/32-56x2.6).....	螺絲.....	1
39	A0639	Spring Plate Holder.....	彈簧片固定鐵勾.....	1
40	A1228	Chip Guard.....	切角防護片.....	1

6



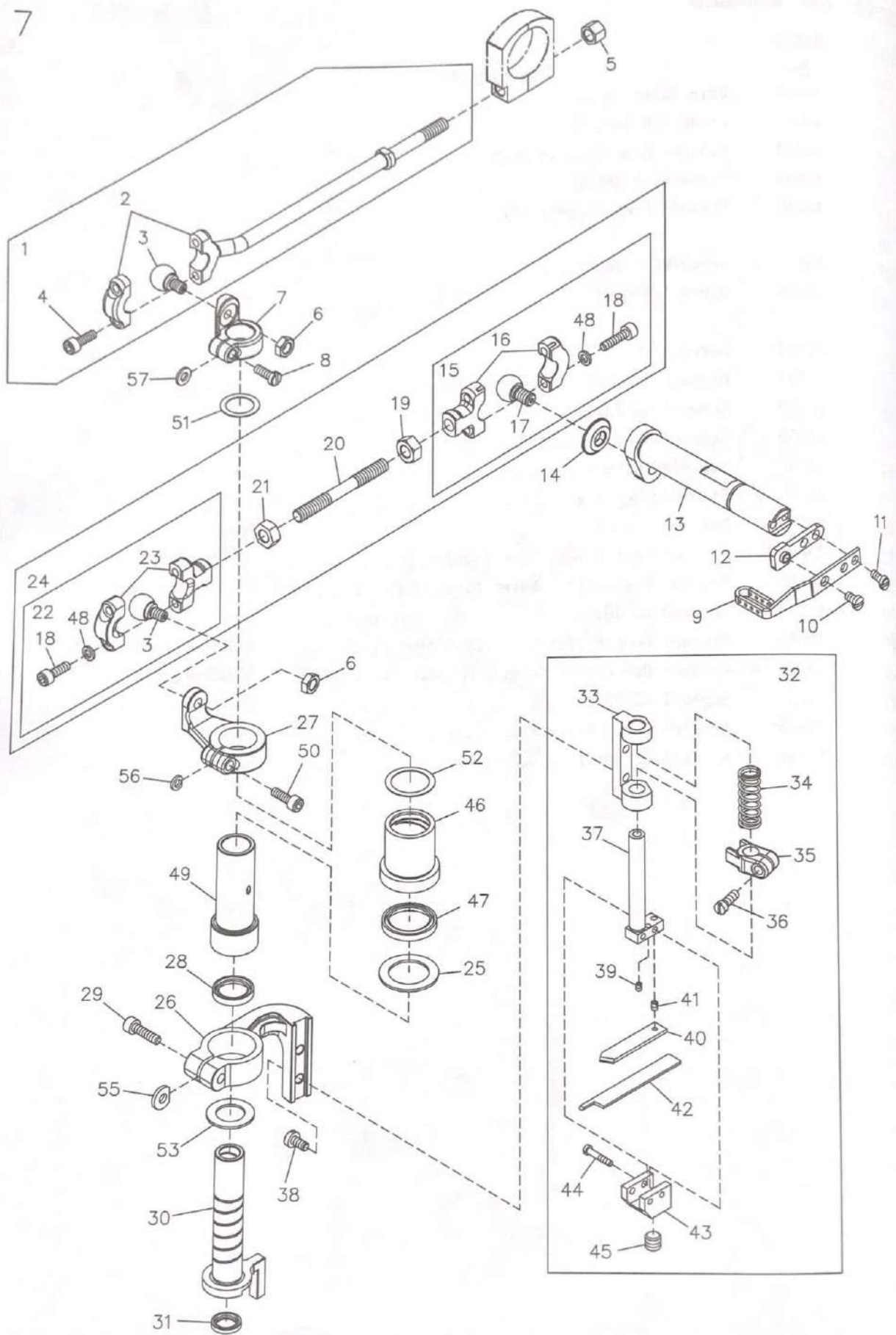
PRESSER FOOT MECHANISM

壓腳驅動機構

6

<u>Ref</u> <u>No</u>	<u>Parts</u> <u>No</u>	<u>Description</u>	<u>品 名</u>	<u>Amt</u> <u>Req</u>
41	A0641	Chip Guard Spring.....	切角防護片彈簧.....	1
42	A0642	Screw(1/8-44x2.2).....	螺絲.....	1
43	A0643	Presser Foot Guide(Right).....	壓腳導件(右).....	1
44	A0644	Screw(M5-0.8x12).....	螺絲.....	1
45	A0645	Presser Foot Guide(Left).....	壓腳導件(左).....	1
46				
47	A0647	Screw(M4-0.7x12).....	螺絲.....	2
48	A0506	Screw(1/8-44x4).....	螺絲.....	1
49				
50	A0650	Screw(3/16-32x3.3).....	螺絲.....	2
51	A0651	Presser Bar Lifter Lever(Large).....	壓腳升降杠杆(大).....	1
52	A0652	Screw(7/32-32x10).....	螺絲.....	1
53	A0653	Stop Plunger Segment Pin.....	插銷.....	1
54	A0530	Screw(M5-0.8x5).....	螺絲.....	1
55	A0655	Stop Plunger Segment.....	插銷套.....	1
56	A0656	Nut.....	螺帽.....	1
57	A0657	Presser Foot Lifter Stop Plunger.....	壓具抬起停車柱.....	1
58	A0658	Presser Foot Lifter Lever Link(Long).....	壓腳升降杠杆連杆(長)....	1
59	A0659	Screw(9/64-40x6).....	螺絲.....	2
60	A0660	Presser Foot Lifter Lever Link(Short).....	壓腳升降杠杆連杆(短)....	1
61	A0661	Presser Bar Lifter Lever(Small).....	壓腳升降杠杆(小).....	1
62	A0662	Screw(7/32-32x6).....	螺絲.....	1
63	A0663	Presser Bar Lifter Lever.....	壓腳拉杆.....	1
64	A0664	Screw(3/32-56x4).....	螺絲.....	1

7

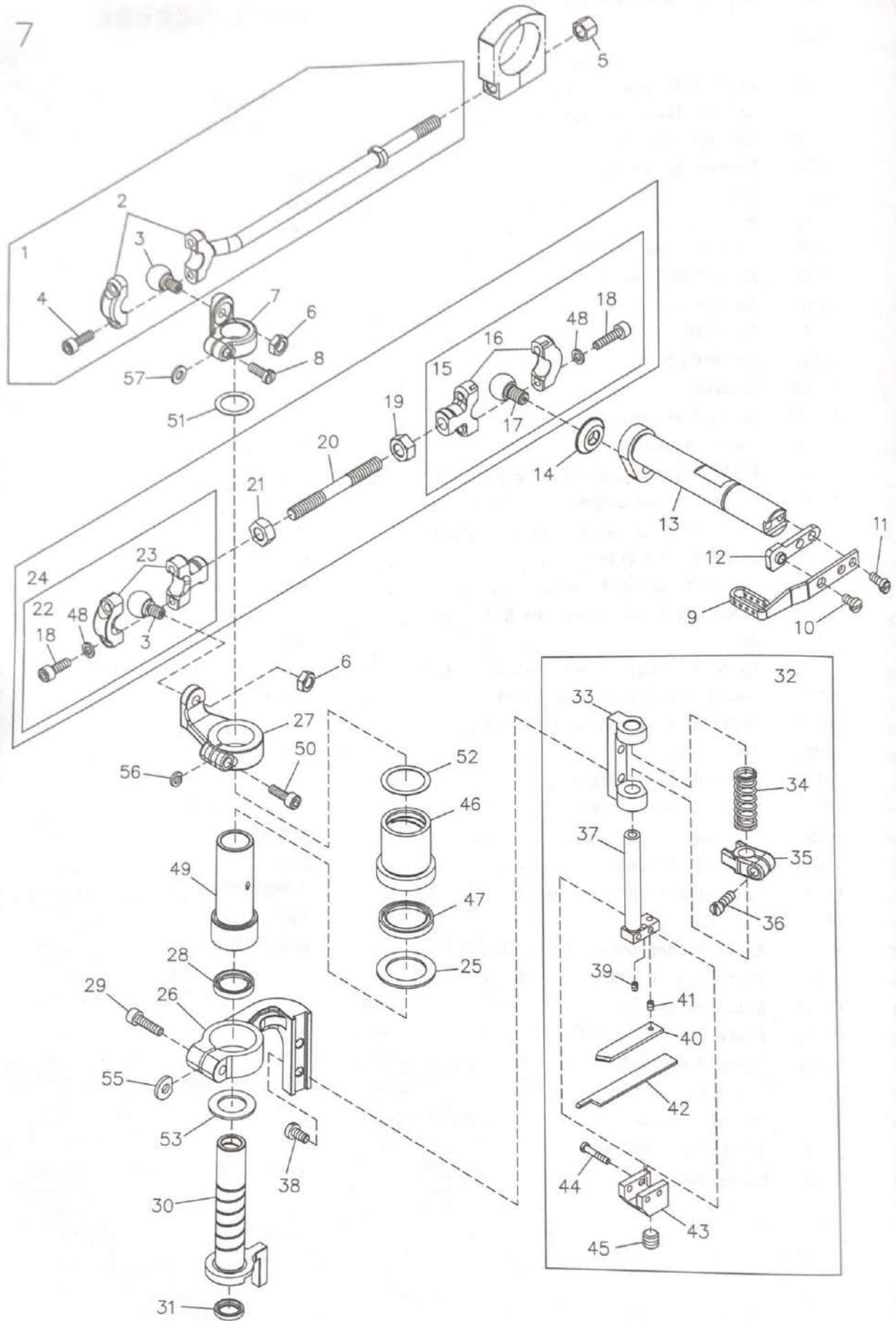


UPPER KNIFE CARRIER AND HOOK DRIVING MECHANISM

上切刀及上勾針驅動機構 7

Ref.	Parts.			Amt.
No.	No.	Description	品 名	Req.
1	A0701	Carrier/Hook Driving Rod(Left), C. Set.....	上飾線連杆組.....	1
2	A0702	Carrier Hook Driving Rod(Left).....	上飾線連杆.....	1
3	A0703	Rod Ball(Left).....	球頭.....	2
4	A0704	Screw(9/64-40x10).....	螺絲.....	2
5	A0705	Nut.....	螺帽.....	1
6	A0706	Nut.....	螺帽.....	2
7	A0707	Carrier Hook Sleeve Lever.....	上飾線連杆套筒.....	1
8	A0107	Screw(9/64-40x11).....	螺絲.....	1
9	A0709	Needle Thread Take-up.....	針線搖臂過線孔.....	1
10	A0710	Screw(M3.5-0.6x6).....	螺絲.....	1
11	A0711	Screw(M3.5-0.6x8).....	螺絲.....	2
12	A0712	Bracket.....	固定片.....	1
13	A0713	Knife Driving Lever.....	上切刀傳動杠杆.....	1
14	A0714	Steady Washer.....	穩定墊圈.....	1
15	A0715	Knife Driving Connection(Right), C. Set.....	上切刀傳動連結杆(右)組.....	1
16	A0716	Knife Driving Connection(Right).....	上切刀傳動連結杆(右).....	1
17	A0717	Knife Driving Connection Ball(Right).....	上切刀傳動連結球(右).....	1
18	A0718	Screw(M3.5-0.6x14).....	螺絲.....	4
19	A0719	Nut(Left-handed Screw).....	螺帽.....	1
20	A0720	Looper Driving Connection Rod.....	下勾針驅動連結杆.....	1
21	A0721	Nut.....	螺帽.....	1
22	A0722	Knife Driving Connection(Left), C. Set.....	上切刀傳動連結杆(左)組.....	1
23	A0723	Feed Drive Connection(Lower).....	送料具驅動連杆(下).....	1
24	A0724	Knife Driving Connection, C. Set.....	上切刀傳動連結杆組.....	1
25	A0725	Bushing Ring.....	襯套墊片.....	1
26	A0726	Knife Holder Bracket.....	上切刀固定座托架.....	1
27	A0727	Knife Holder Bracket Arm.....	上切刀托架擺臂.....	1
28	A0728	Oil Seal.....	止油圈.....	1
29	A0566	Screw(M5-0.8x14).....	螺絲.....	1
30	A0730	Carrier/Hook Driving Sleeve.....	上飾線連杆柱.....	1
31	A0731	Oil Seal.....	油封.....	1
32	A0732	Knife Holder Guide Collar, C. Set.....	活動刀組.....	1
33	A0733	Knife Holder Shank Support.....	上切刀固定座支架.....	1
34	A0734	Knife Holder Spring.....	上切刀固定座彈簧.....	1
35	A0735	Knife Holder Guide Collar.....	上切刀彈簧固定座.....	1
36	A0736	Screw(9/64-40x10.3).....	螺絲.....	1
37	A0737	Knife Holder Shank.....	上切刀固定座柄.....	1
38	A0143	Screw(9/64-40x7).....	螺絲.....	2
39	A0739	Screw(3/32-56x3.8).....	螺絲.....	1
40	A0740	Knife Support.....	上切刀支架.....	1

7

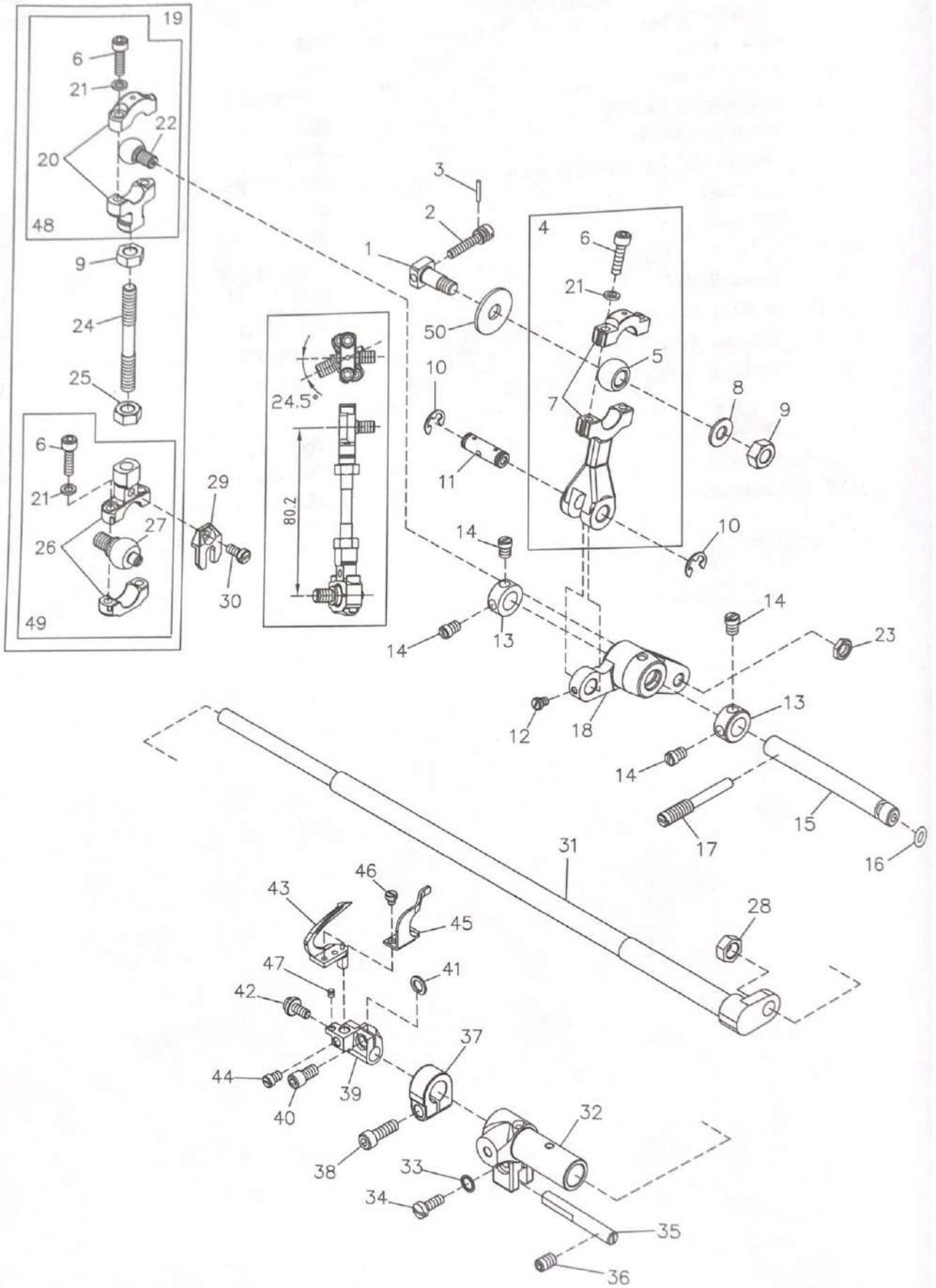


UPPER KNIFE CARRIER AND HOOK DRIVING MECHANISM

上切刀及上勾針驅動機構

7

<u>Ref.</u>	<u>Parts.</u>			<u>Amt.</u>
<u>No.</u>	<u>No.</u>	<u>Description</u>	<u>品 名</u>	<u>Req.</u>
41	A0741	Screw(3/32-56x1.4).....	螺絲.....	1
42	A0742	Upper Knife.....	上切刀片.....	1
43	A0743	Knife Holder.....	上切刀固定座.....	1
44	A0744	Screw(3/32-56x7.3).....	螺絲.....	2
45	A0745	Screw(1/4-40x5).....	螺絲.....	1
46	A0746	Thread Carrier and Hook Sleeve Bushing.....	切刀固定座托架襯套.....	1
47	A0747	Oil Seal.....	油封.....	1
48	A0748	Washer.....	墊片.....	4
49	A0749	Knife Driving Shaft.....	上切刀傳動軸.....	1
50	A0750	Screw(M4-0.7x14).....	螺絲.....	1
51	A0751	Bushing Ring.....	襯套墊片.....	1
52	A0752	Bushing Ring.....	襯套墊片.....	1
53	A0753	Bushing Ring.....	襯套墊片.....	1
54				
55	A0755	Packing.....	襯墊.....	1
56	A0756	Packing.....	襯墊.....	1
57	A0757	Packing.....	襯墊.....	1

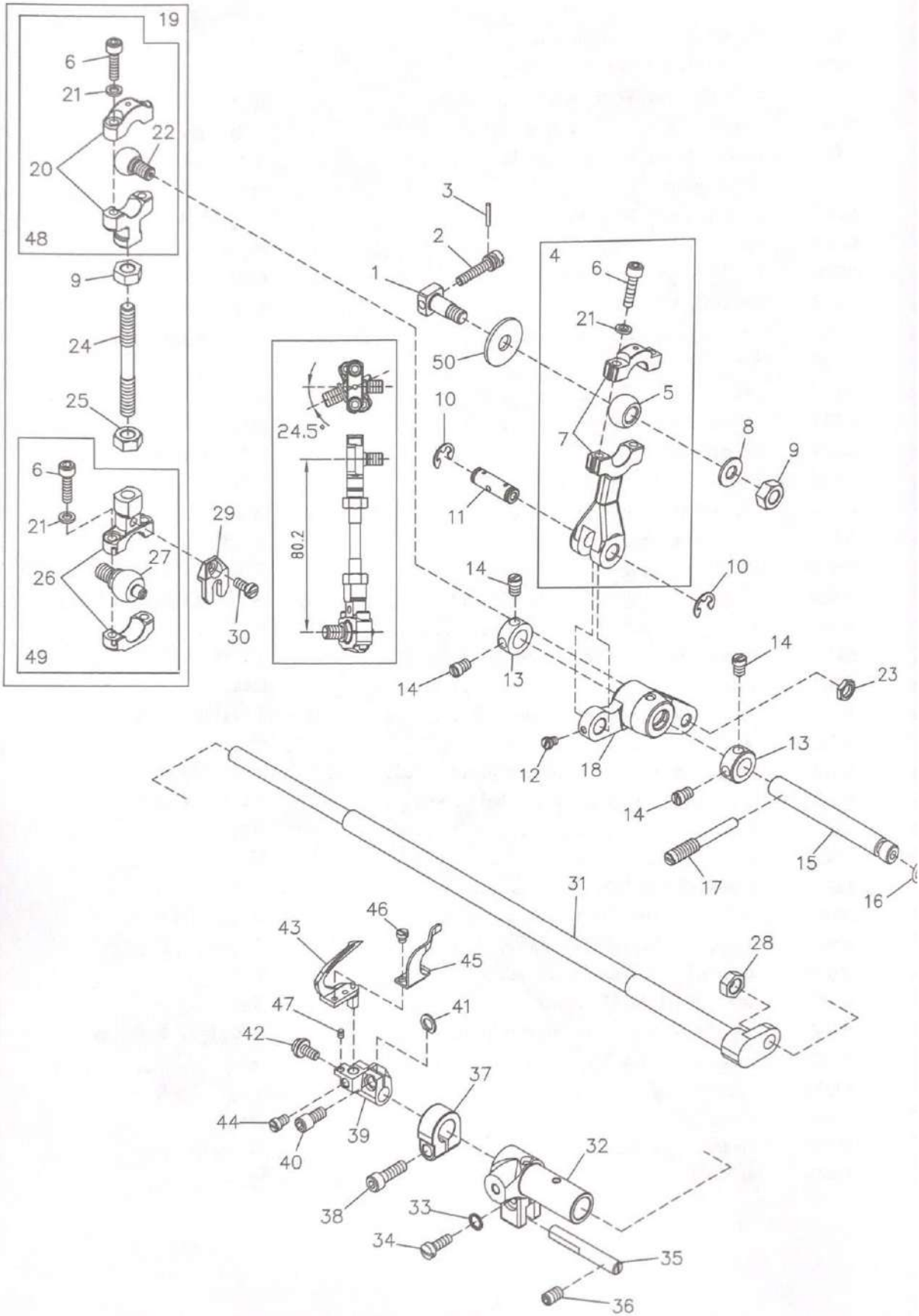


LOOPER DEIVING MECHANISM

下勾針驅動機構

8

<u>Ref.</u>	<u>Parts.</u>	<u>Description</u>	<u>品 名</u>	<u>Amt.</u>
<u>No.</u>	<u>No.</u>			<u>Req.</u>
1	A0801	Looper Driving Crank Pin.....	下勾針驅動曲柄插銷.....	1
2	A0802	Screw(9/64-40x16.5).....	螺絲.....	1
3	A0803	Roll Pin for Main Shaft.....	插銷.....	1
4	A0804	Looper Lever Driving Rod, C. Set.....	下勾針驅動杆組.....	1
5	A0805	Looper Lever Driving Rod Ball.....	下勾針驅動杆球.....	1
6	A0718	Screw(M3.5-0.6x14).....	螺絲.....	6
7	A0807	Looper Lever Driving Rod.....	下勾針驅動杆.....	1
8	A0808	Washer.....	墊片.....	1
9	A0719	Nut(Left-handed Screw).....	螺帽.....	2
10	A0810	Retaining Ring.....	扣環.....	2
11	A0811	Looper Lever Driving Rod Pin.....	下勾針驅動杆插銷.....	1
12	A0340	Screw(1/8-44x4.5).....	螺絲.....	1
13	A0813	Collar.....	軸環.....	2
14	A0814	Screw(11/64-40x5.5).....	螺絲.....	4
15	A0815	Looper Lever Shaft.....	下勾針杠杆軸.....	1
16	A0816	O-Ring.....	O型環.....	1
17	A0817	Screw(7/32-32x18).....	螺絲.....	1
18	A0818	Looper Lever.....	下勾針杠杆.....	1
19	A0819	Looper Driving Connection Rod, C. Set.....	下勾針驅動連杆組.....	1
20	A0820	Looper Driving Connection(Upper).....	下勾針驅動連杆(上).....	1
21	A0748	Washer.....	墊片.....	6
22	A0717	Looper Driving Connection Ball(Upper).....	下勾針驅動連杆球(上).....	1
23	A0823	Nut.....	螺帽.....	1
24	A0720	Looper Driving Connection Rod.....	下勾針驅動連結杆.....	1
25	A0721	Nut.....	螺帽.....	1
26	A0826	Looper Driving Connection(Lower).....	下勾針驅動連杆(下).....	1
27	A0827	Looper Driving Connection Ball(Lower).....	下勾針驅動連杆球(下).....	1
28	A0828	Nut.....	螺帽.....	1
29	A0829	Steady Fork.....	穩定叉.....	1
30	A0711	Screw(M3.5-0.6x8).....	螺絲.....	1
31	A0831	Looper Rocker Shaft.....	下勾針搖杆軸.....	1
32	A0832	Looper Rocker Shaft Sleeve.....	下勾針搖杆軸套筒.....	1
33	A0833	Washer.....	墊片.....	1
34	A0107	Screw(9/64-40x11).....	螺絲.....	1
35	A0835	Looper Rocker Shaft Sleeve Guide.....	下勾針搖杆軸套筒導件.....	1
36	A0836	Screw(3/16-32x8).....	螺絲.....	1
37	A0837	Collar.....	下勾針搖杆軸環.....	1
38	A0838	Screw(11/64-40x15).....	螺絲.....	1
39	A0839	Looper Holder.....	下勾針固定座.....	1
40	A0840	Screw(11/64-40x8.4).....	螺絲.....	1

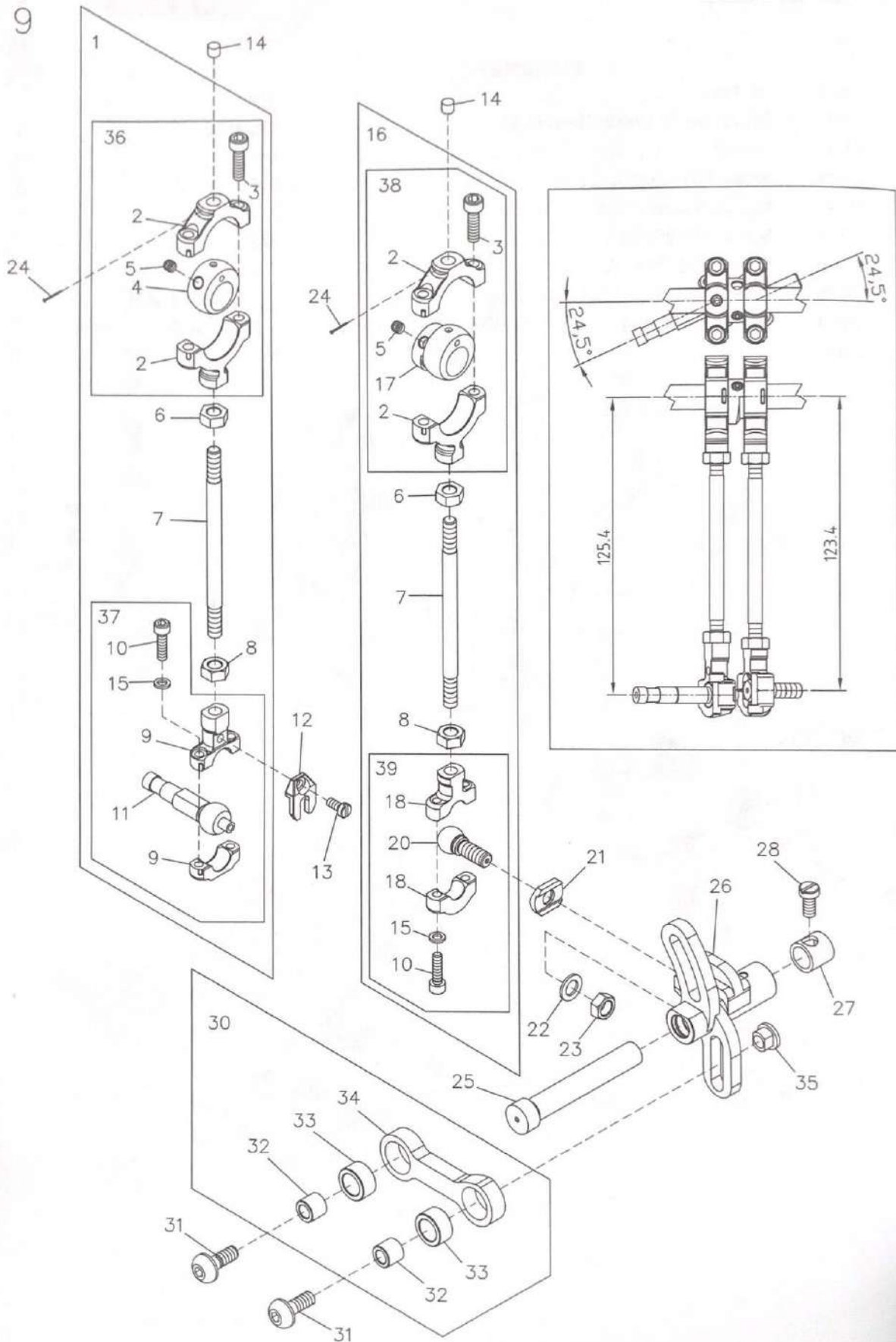


LOOPER DEIVING MECHANISM

下勾針驅動機構 8

<u>Ref.</u>	<u>Parts.</u>			<u>Amt.</u>
<u>No.</u>	<u>No.</u>	<u>Description</u>	<u>品 名</u>	<u>Req.</u>
41	A0841	Packing.....	襯墊.....	1
42	A0842	Adjusting Screw (9/64-40x8.2).....	調節螺絲.....	1
43	A0843	Looper.....	勾針.....	1
44	A0844	Screw (9/64-40x5).....	螺絲.....	1
45	A0845	Needle Guard (Front).....	針檔(前).....	1
46	A0846	Screw (29/256-48x3.2).....	螺絲.....	2
47	A0739	Screw (3/32-56x3.5).....	螺絲.....	1
48	A0848	Looper Driving Connection (Upper) , C. Set.....	下勾針驅動連結組(上)....	1
49	A0849	Looper Driving Connection (Lower) , C. Set.....	下勾針驅動連結組(下)....	1
50	A0850	Spacer.....	墊片.....	1

9



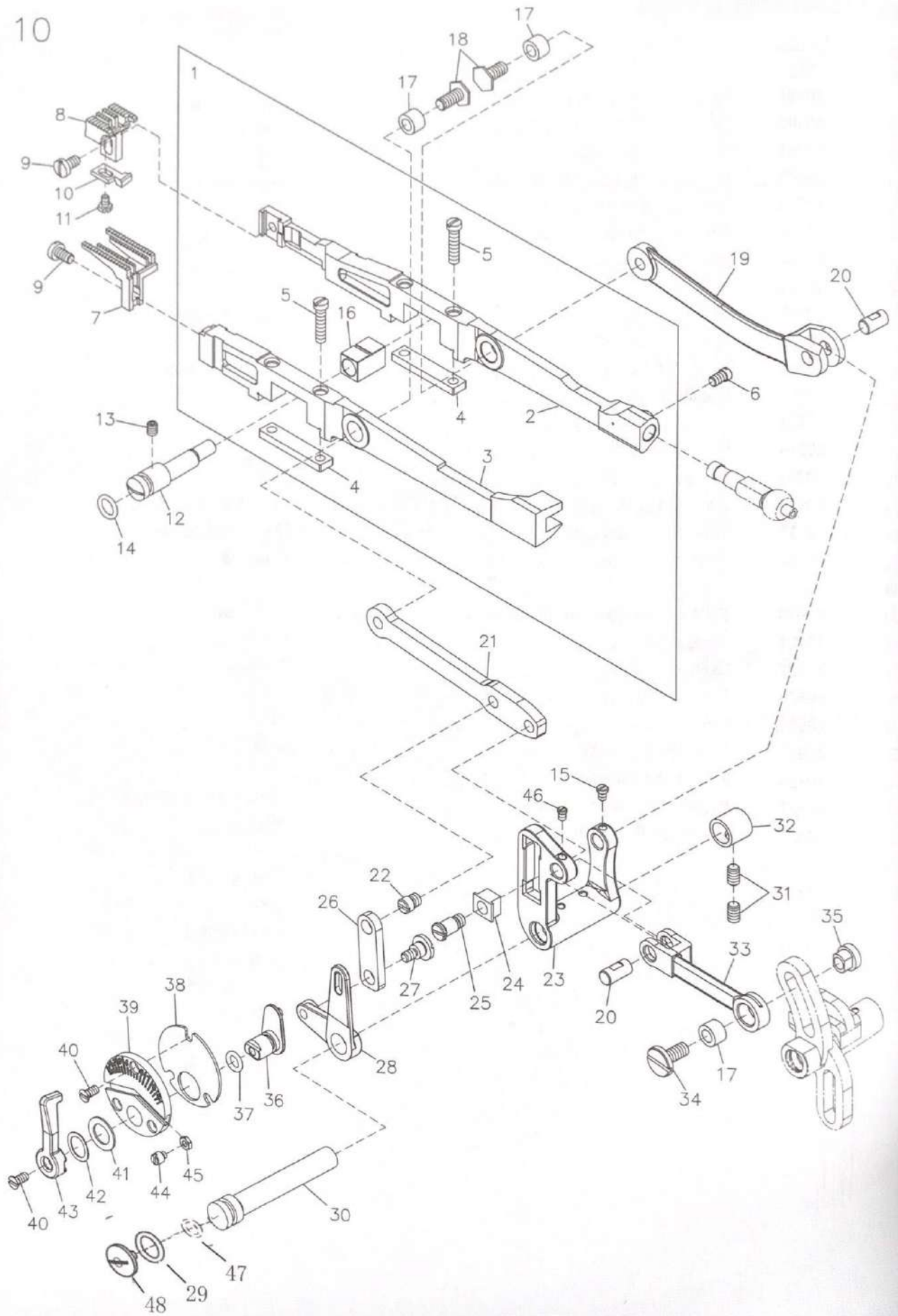
FEED DEIVING CONTROL MECHANISM

送料具驅動機構

9

Ref. No.	Parts. No.	Description	品 名	Amt. Req.
1	A0901	Feed Lift Eccentric, C. Set.....	送料具提升偏心輪組.....	1
2	A0902	Feed Lift Connection(Upper).....	送料具提升連杆(上).....	2
3	A0903	Screw(11/64-40x16).....	螺絲.....	4
4	A0904	Feed Lift Eccentric Ball.....	送料具提升偏心輪球.....	1
5	A0224	Screw(11/64-40x4).....	螺絲.....	4
6	A0719	Nut(Left-handed Screw).....	螺帽.....	2
7	A0907	Feed Lift Eccentric Connecting Rod.....	送料具提升偏心輪連杆.....	2
8	A0721	Nut.....	螺帽.....	2
9	A0826	Feed Lift Connection(Lower).....	送料具提升連杆(下).....	1
10	A0718	Screw(M3. 5-0. 6x14).....	螺絲.....	4
11	A0911	Feed Lift Connection Ball.....	送料具提升連杆球.....	1
12	A0829	Steady Fork.....	穩定叉.....	1
13	A0711	Screw(M3. 5-0. 6x8).....	螺絲.....	1
14	A0914	Oil Wick.....	油芯.....	2
15	A0748	Washer.....	墊片.....	4
16	A0916	Feed Drive Eccentric, C. Set.....	送料具驅動偏心輪組.....	1
17	A0917	Feed Drive Eccentric Ball.....	送料具驅動偏心輪球.....	1
18	A0723	Feed Drive Connection(Lower).....	送料具驅動連杆(下).....	1
19				
20	A0920	Feed Drive Connection Ball.....	送料具驅動連杆球.....	1
21	A0921	Steady Washer.....	穩定墊片.....	1
22	A0922	Washer.....	墊片.....	1
23	A0828	Nut.....	螺帽.....	1
24	A0924	Pin.....	固定銷.....	2
25	A0925	Feed Drive Shaft.....	送料具驅動軸.....	1
26	A0926	Feed Drive/Looper Avoid Lever.....	送料具杠杆.....	1
27	A0927	Feed Drive Shaft Bushing.....	送料具驅動軸套筒.....	1
28	A0928	Screw(3/16-32x10).....	螺絲.....	1
29				
30	A0930	Looper Avoid Connecting Rod, C. Set.....	勾針運動連杆組.....	1
31	A0931	Screw(7/32-32x15).....	螺絲.....	2
32	A0932	Looper Avoid Connecting Rod Bushing.....	連杆軸承襯套.....	2
33	A0933	Needle Bearing.....	軸承.....	2
34	A0934	Looper Avoid Connecting Rod.....	勾針運動連杆.....	1
35	A0935	Looper Aviod Adjusting Nut.....	調整螺帽.....	1
36	A0936	Feed Lift Connection(Upper), C. Set.....	送料具提升連杆(上)組.....	1
37	A0937	Feed Lift Connection(Lower), C. Set.....	送料具提升連杆(下)組.....	1
38	A0938	Feed Drive Eccentric(Upper), C. Set.....	送料具提升偏心輪(上)組...	1
39	A0939	Feed Drive Eccentric(Lower), C. Set.....	送料具提升偏心輪(下)組...	1

10

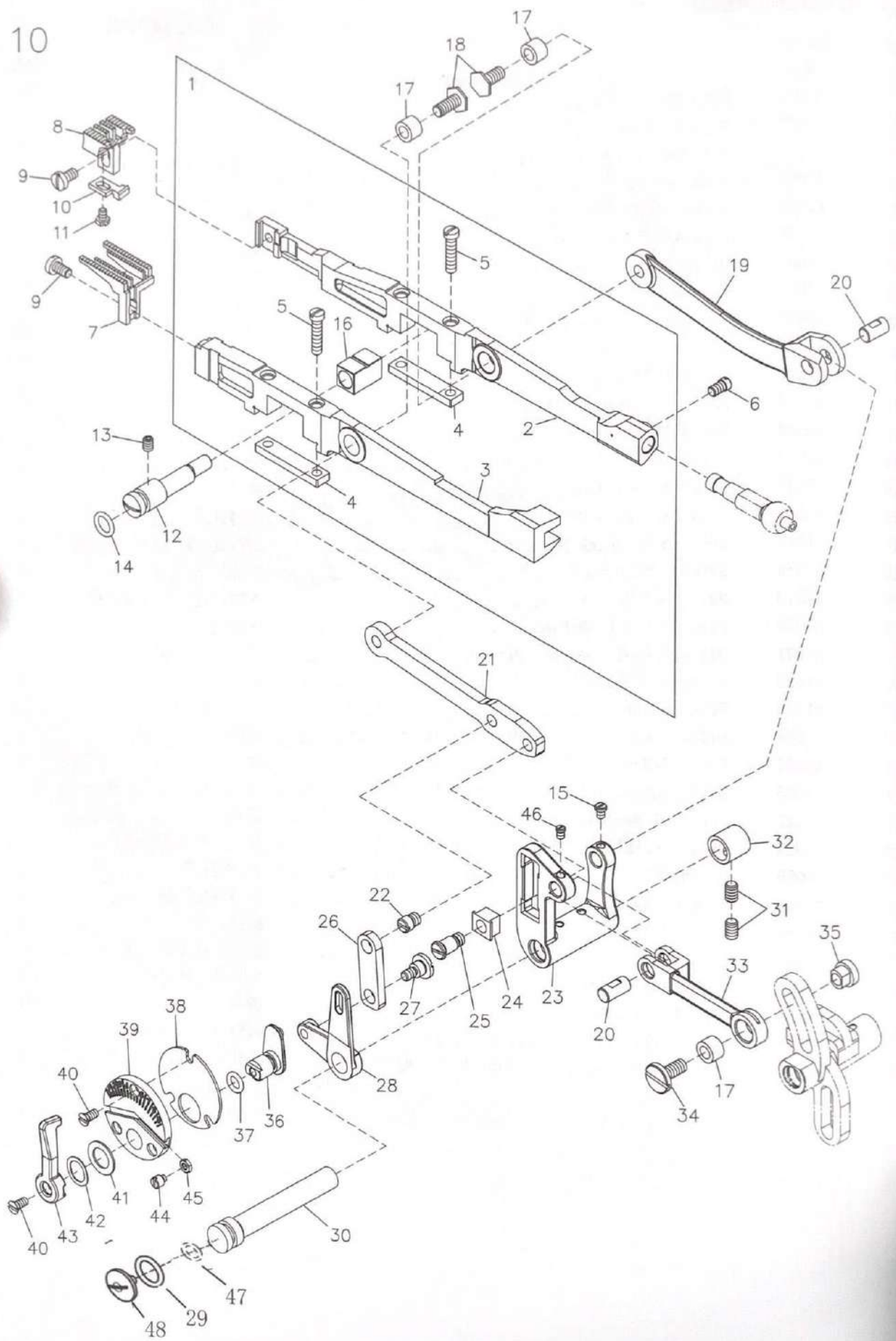


FEED DEIVING MECHANISM

料具調節機構 10

<u>Ref.</u> <u>No.</u>	<u>Parts.</u> <u>No.</u>	<u>Description</u>	<u>品 名</u>	<u>Amt.</u> <u>Req.</u>
1	A1001	Feed Bar, C. Set.....	送料具固定座組.....	1
2	A1002	Main Feed Bar.....	主送料具固定座.....	1
3	A1003	Differential Feed Bar.....	差動送料具固定座.....	1
4	A1004	Feed Bar Plate.....	送料具固定座片.....	2
5	A1005	Screw(11/64-40x18).....	螺絲.....	4
6	A1006	Screw(11/64-40x7.5).....	螺絲.....	1
7	A1007	Differential Feed Dog.....	差動齒.....	1
8	A1008	Main Feed Dog.....	主齒.....	1
9	A0302	Screw (11/64-40x8).....	螺絲.....	2
10	A1010	Needle Guard(Rear).....	頂針片(後).....	1
11	A1011	Screw(1/8-44x5).....	螺絲.....	1
12	A1012	Feed Bar Eccentric Pin.....	送料具偏心銷.....	1
13	A0508	Screw(11/64-40x6).....	螺絲.....	1
14	A1014	O-ring(P8).....	O型橡膠環.....	1
15	A0340	Screw(1/8-44x4.5).....	螺絲.....	1
16	A1016	Feed Bar Slide Block.....	送料具滑塊.....	1
17	A1017	Feed Rocker Link Bushing.....	送料具搖杆套筒.....	3
18	A1018	Screw(7/32-32x6.2).....	螺絲.....	2
19	A1019	Main Feed Bar Driving Link.....	主送料具固定座驅動杆....	1
20	A1020	Feed Rocker Link Pin.....	送料具搖杆插銷.....	2
21	A1021	Differential Feed Bar Driving Link.....	差動送料具驅動杆.....	1
22	A1022	Screw(7/32-32x5.2).....	螺絲.....	1
23	A1023	Feed Rocker.....	送料具搖杆.....	1
24	A1024	Differential Feed Bar Driving Link Slider.....	差動送料具調整滑塊.....	1
25	A1025	Screw(7/32-32x4.1).....	螺絲.....	1
26	A1026	Differential Feed Adjusting Link.....	差動送料具調節杠杆.....	1
27	A1027	Screw(11/64-40x4.5).....	螺絲.....	1
28	A1028	Differential Feed Adjusting Lever.....	差動送料具調節杠杆.....	1
29	A1029	O-ring(P9).....	O型橡膠環.....	1
30	A1030	Feed Rocker Shaft.....	送料具搖杆軸.....	1
31	A0836	Screw(3/16-32x8).....	螺絲.....	2
32	A0927	Feed Rocker Shaft Bushing.....	送料具搖杆軸套筒.....	1
33	A1033	Feed Rocker Link.....	送料具搖杆連杆.....	1
34	A1034	Screw(7/32-32x12).....	螺絲.....	1
35	A1035	Feed Adjusting Nut.....	送料具調節螺帽.....	1
36	A1036	Differential Feed Adjusting Lever(Middle).....	差動送料具調節杠杆(中)..	1
37	A1037	O-ring(P6).....	O型橡膠環.....	1
38	A1038	Differential Feed Adjusting Dial Gasket.....	差動調節標度盤墊片.....	1
39	A1039	Differential Feed Adjusting Dial.....	差動送料具調節標度盤....	1
40	A0127	Screw(9/64-40x8).....	螺絲.....	4

10



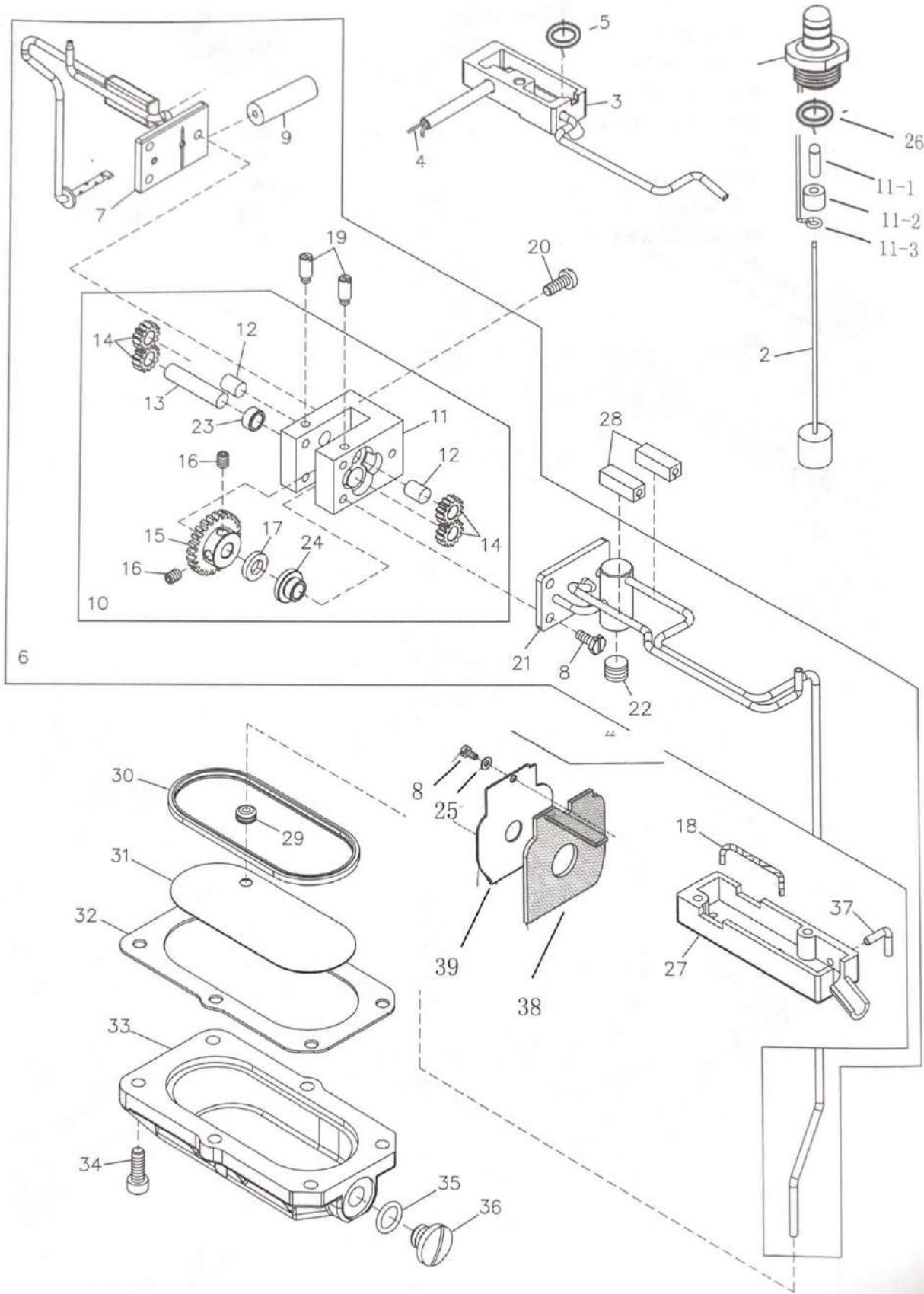
FEED DEIVING MECHANISM

料具調節機構

10

<u>Ref.</u>	<u>Parts.</u>			<u>Amt.</u>
<u>No.</u>	<u>No.</u>	<u>Description</u>	<u>品 名</u>	<u>Req.</u>
41	A1041	Spacer (Fiber).....	墊片(纖維).....	1
42	A1042	Corrugated Washer.....	波狀墊片.....	1
43	A1043	Differential Feed Operating Lever.....	差動送料具操作杆.....	1
44	A1044	Screw (M3-0.5x2.8).....	螺絲.....	2
45	A1045	Nut.....	螺帽.....	2
46	A0340	Screw (1/8-44x4.5).....	螺絲.....	1
47	A1047	Oil Seal.....	油封.....	1
48	A0148	Screw (3/16-32*4.5).....	螺絲.....	1





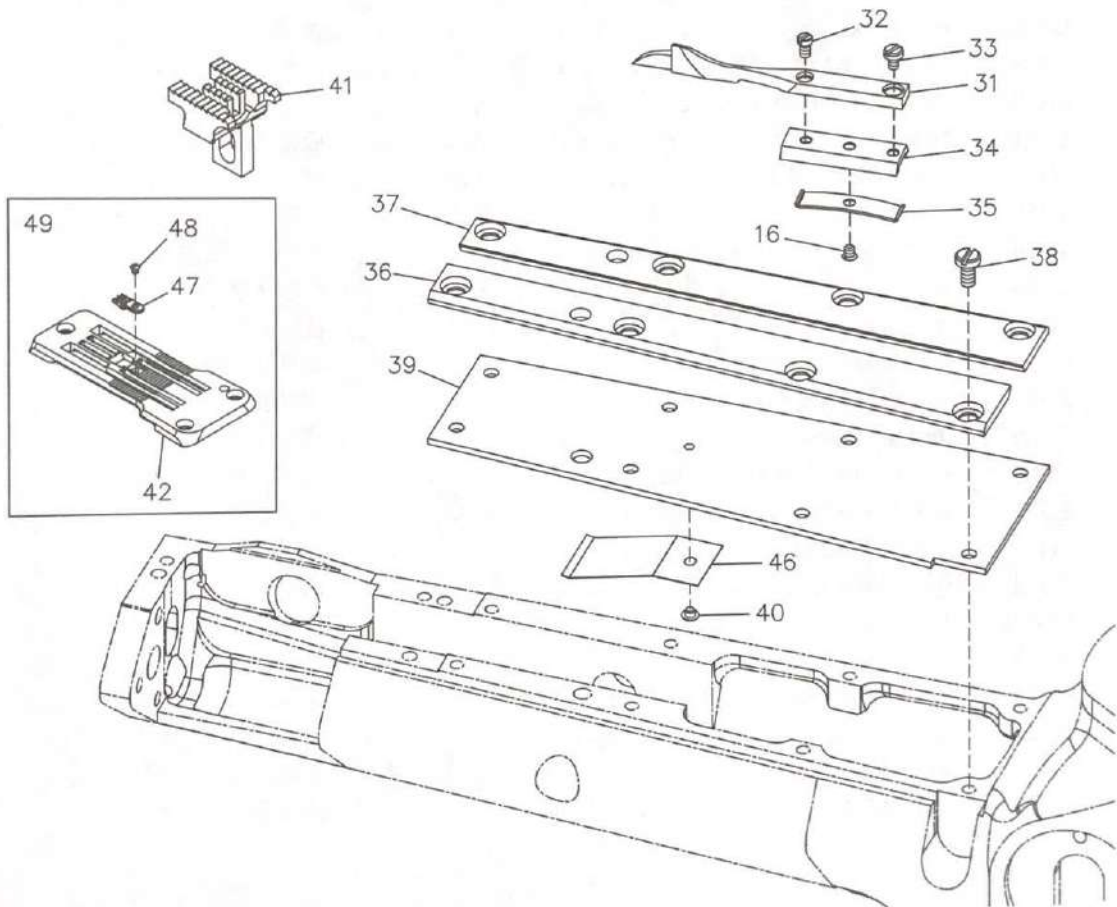
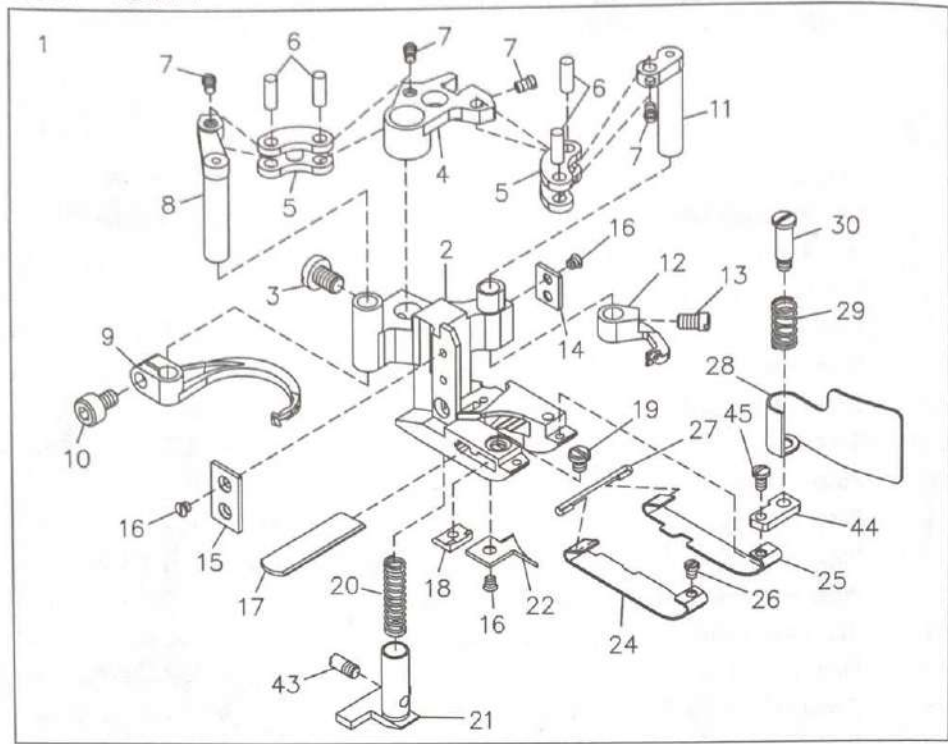
LUBRICATING MECHANISM

給油機構

11

<u>Ref.</u>	<u>Parts.</u>			<u>Amt.</u>
<u>No.</u>	<u>No.</u>	<u>Description</u>	<u>品 名</u>	<u>Req.</u>
1	A1101	Crank Chamber Oil Gauge Unit.....	油表.....	1
	A1101-1			1
	A1101-2			1
	A1101-3			1
2	A1102	Oil Height Indicator.....	油量指示棒.....	1
3	A1103	Oil Receiver(Rear).....	油量接收器(後).....	1
4	A1104	Oil Wick.....	油芯.....	1
5	A1105	O-ring.....	O型圈.....	1
6	A1106	Pump, C. Set.....	油泵組.....	1
7	A1107	Pump Housing Cover(Rear) Unit.....	吸油管組(後).....	1
8	A0143	Screw(9/64-40*8).....	螺絲.....	6
9	A1109	In-take Filter.....	吸油氈.....	1
10	A1110	Pump, C. Set.....	油泵組.....	1
11	A1111	Pump Housing.....	油泵室.....	1
12	A1112	Pump Gear Shaft(Short).....	油泵齒輪(短).....	2
13	A1113	Pump Gear Shaft(Long).....	油泵齒輪(長).....	1
14	A1114	Oil Pump Gear.....	油泵齒輪.....	4
15	A1115	Pump Driven Gear.....	油泵驅動齒輪.....	1
16	A0508	Screw(11/64-40x6).....	螺絲.....	2
17	A0428	Oil Seal.....	油封.....	1
18	A1118	Oil Wick.....	油蕊.....	1
19	A1119	Screw(9/64-40x3.1).....	螺絲.....	2
20	A1120	Screw(11/64-40x11).....	螺絲.....	2
21	A1121	Pump Housing Cover(Front) Unit.....	吸油管組(前).....	1
22	A1122	Screw(M10-1.5x6).....	螺絲.....	1
23	A1123	Bushing.....	軸套.....	1
24	A1124	Bushing.....	軸套.....	1
25	A1125	Red Mat.....	紅色小墊子.....	1
26	A1047	Oil Seal.....	油封.....	1
27	A1127	Oil Receiver(Front).....	油量接收器(前).....	1
28	A1128	Oil Tube Support.....	防油套.....	2
29	A1129	Rubber Bushing.....	橡膠套筒.....	1
30	A1130	Oil Filter Screen Rubber Seal.....	過濾油網橡膠油封.....	1
31	A1131	Oil Filter Screen.....	過濾油網.....	1
32	A1132	Oil Reservoir Gasket.....	油槽防油墊.....	1
33	A1133	Oil Reservoir.....	油槽.....	1
34	7870634	Screw(M5-0.8x14).....	螺絲.....	6
35	A0128	O-ring(P10).....	O型橡膠環.....	1
36	A0129	Drain Hole Screw(3/8-24x8).....	螺絲.....	1
37	A1137	Copper Tube.....	銅管.....	1
38	A1138	Wool Felt.....	羊毛氈.....	1
39	A1139	Oil Shield.....	防油板.....	1

LC62DX-12MR



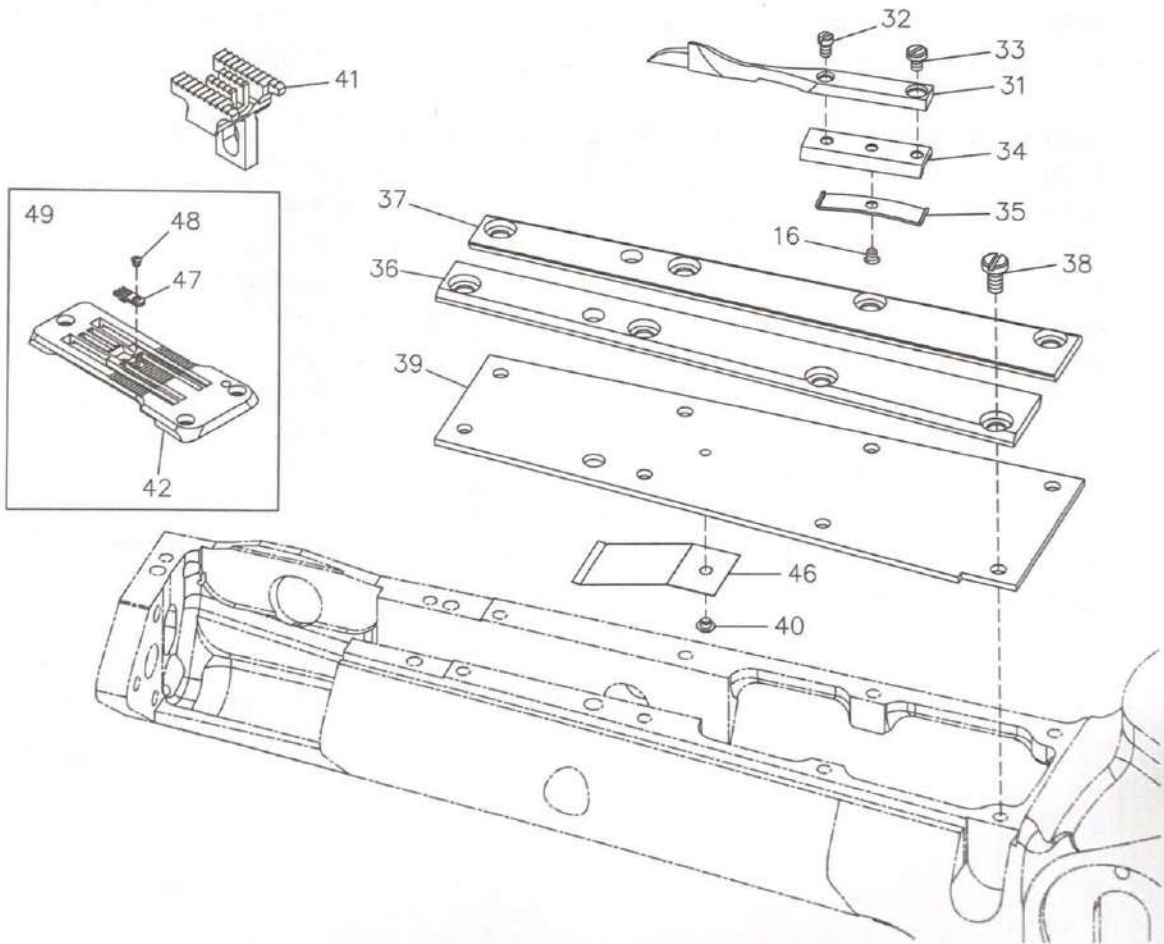
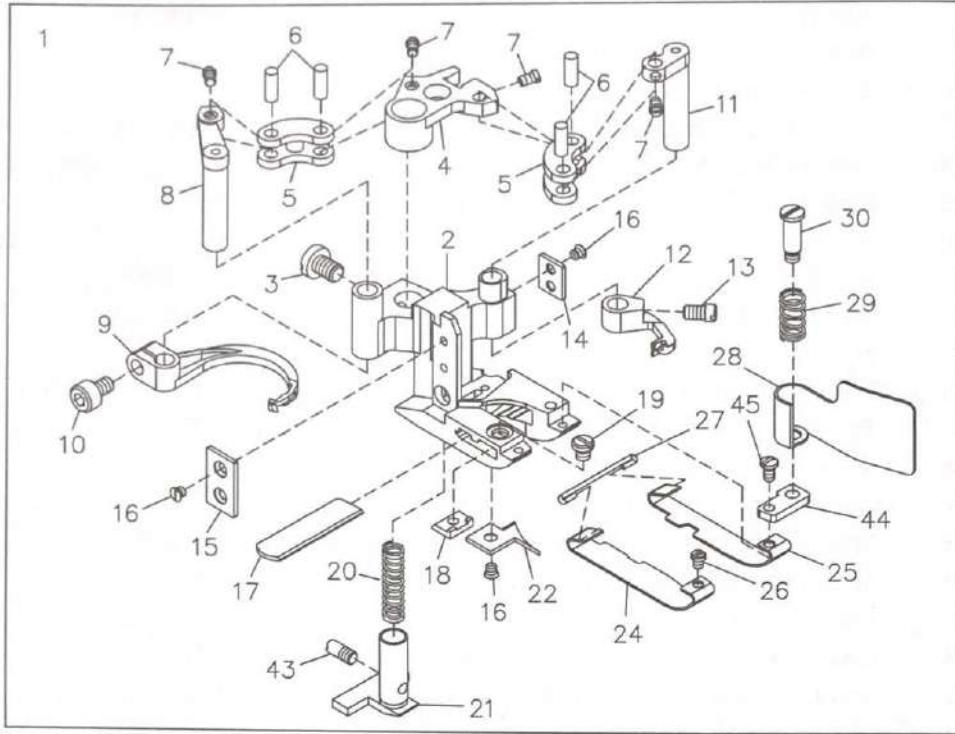
12MR EXCLUSIVE PARTS

專用零件

12

<u>Ref.</u>	<u>Parts.</u>			<u>Amt.</u>
<u>No.</u>	<u>No.</u>	<u>Description</u>	<u>品 名</u>	<u>Req.</u>
1	A1201	Double Side Cut Presser Foot, C. Set.....	雙切壓腳組.....	1
2	A1202	Double Side Cut Presser Foot.....	雙切壓腳.....	1
3	A0616	Screw(11/64-40x 6.5).....	螺絲.....	1
4	A0617	Carrier/Hook Driving Segment.....	上勾針驅動扇形片.....	1
5	A0618	Carrier/Hook Driving Lever Link.....	上勾針驅動連杆.....	2
6	A0619	Link Pin.....	連杆插銷.....	4
7	A0620	Screw(3/32-56x 3.3).....	螺絲.....	4
8	A0621	Thread Hook Driving Lever.....	勾針驅動杆.....	1
9	A0622	Top Cover Thread Hook.....	上飾線過線勾.....	1
10	A0623	Screw(9/64-40x7).....	螺絲.....	1
11	A0624	Top Cover Thread Carrier Driving Lever.....	上飾線托架驅動杆.....	1
12	A0625	Top Cover Thread Carrier.....	上飾線托架.....	1
13	A0626	Screw(1/8-44x 5.3).....	螺絲.....	1
14	A0627	Presser Foot Attach Piece(Right).....	壓腳連接片(右).....	1
15	A0628	Presser Foot Attach Piece(Left).....	壓腳連接片(左).....	1
16	A0546	Screw(3/32-56x2.8).....	螺絲.....	6
17	A0630	Lower Knife.....	下切刀.....	1
18	A1218	Lower Knife Clamp.....	下切刀夾板.....	1
19	A0632	Screw(1/8-44x3.5).....	螺絲.....	1
20	A0633	Yielding Section Spring.....	小壓具彈簧.....	1
21	A1221	Yielding Section.....	小壓具.....	1
22	A1222	Presser Foot Tongue.....	壓腳舌片.....	1
23				
24	A1224	Presser Foot Spring Plate(Left).....	壓腳彈簧片(左).....	1
25	A1225	Presser Foot Spring Plate(Right).....	壓腳彈簧片(右).....	1
26	A0638	Screw(3/32-56x2.6).....	螺絲.....	1
27	A0639	Spring Plate Holder.....	彈簧片固定鐵勾.....	1
28	A1228	Chip Guard.....	切角防護片.....	1
29	A0641	Chip Guard Spring.....	切角防護片彈簧.....	1
30	A0642	Screw(1/8-44x2.2).....	螺絲.....	1
31	A1231	Lap Former.....	前導布器(薄料用).....	1
32	A1232	Screw(3/32-56x3.8).....	螺絲.....	1
33	A1233	Screw(3/32-56x3.8).....	螺絲.....	1
34	A1234	Lap Former Slide Block.....	前導布器滑塊.....	1
35	A1235	Lap Former Slide Block Spring.....	前導布器滑塊彈簧片.....	1
36	A1236	Lap Former Guide Plate(Left).....	前導布器導軌(左).....	1
37	A1237	Lap Former Guide Plate(Right).....	前導布器導軌(右).....	1
38	A0218	Screw(1/8-44x6.5).....	螺絲.....	8
39	A1239	Sewing Cylinder Cover(Upper).....	下巴蓋板.....	1
40	A0220	Screw(3/32-56x1.7).....	螺絲.....	1

LC62DX-12MR



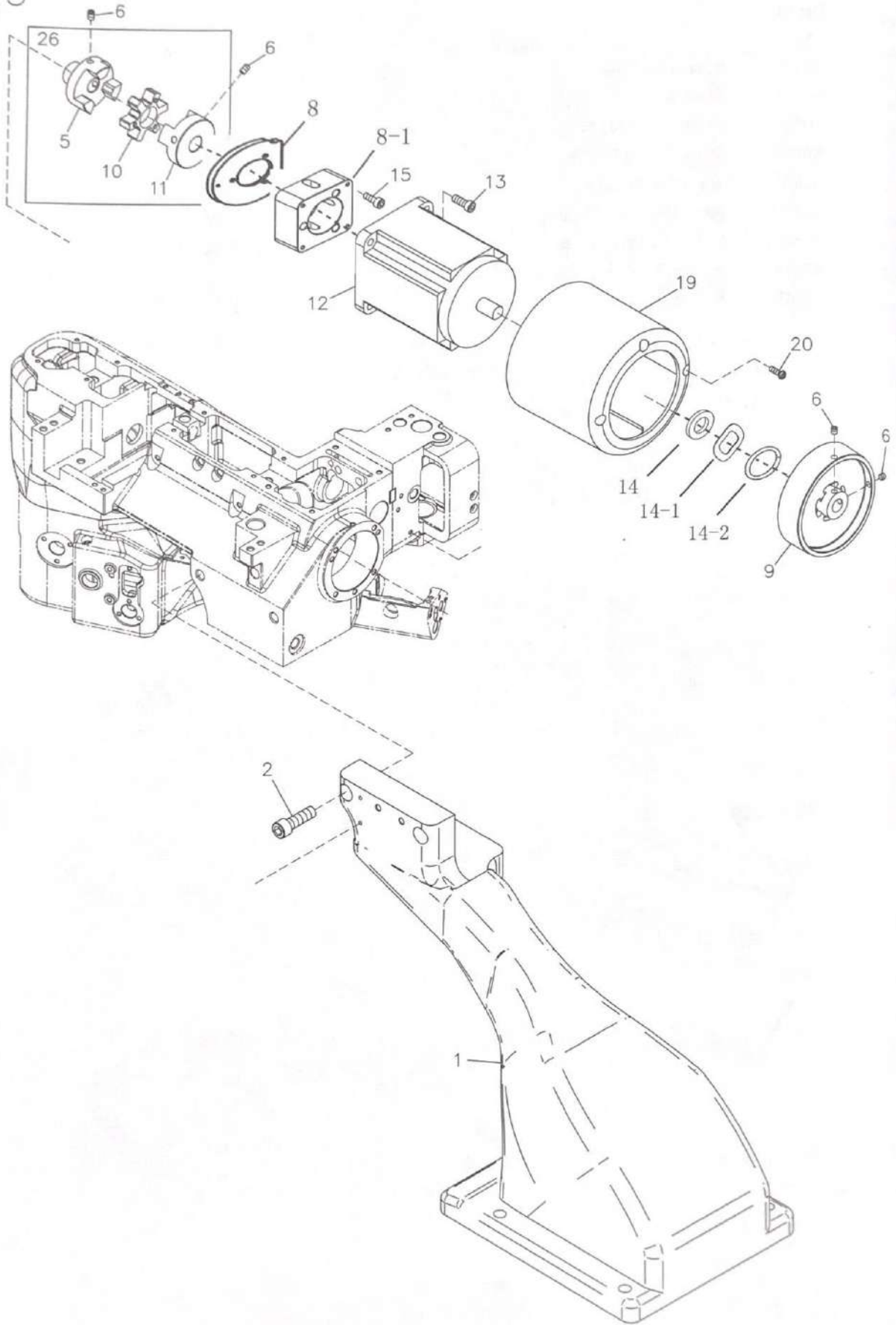
12MR EXCLUSIVE PARTS

專用零件

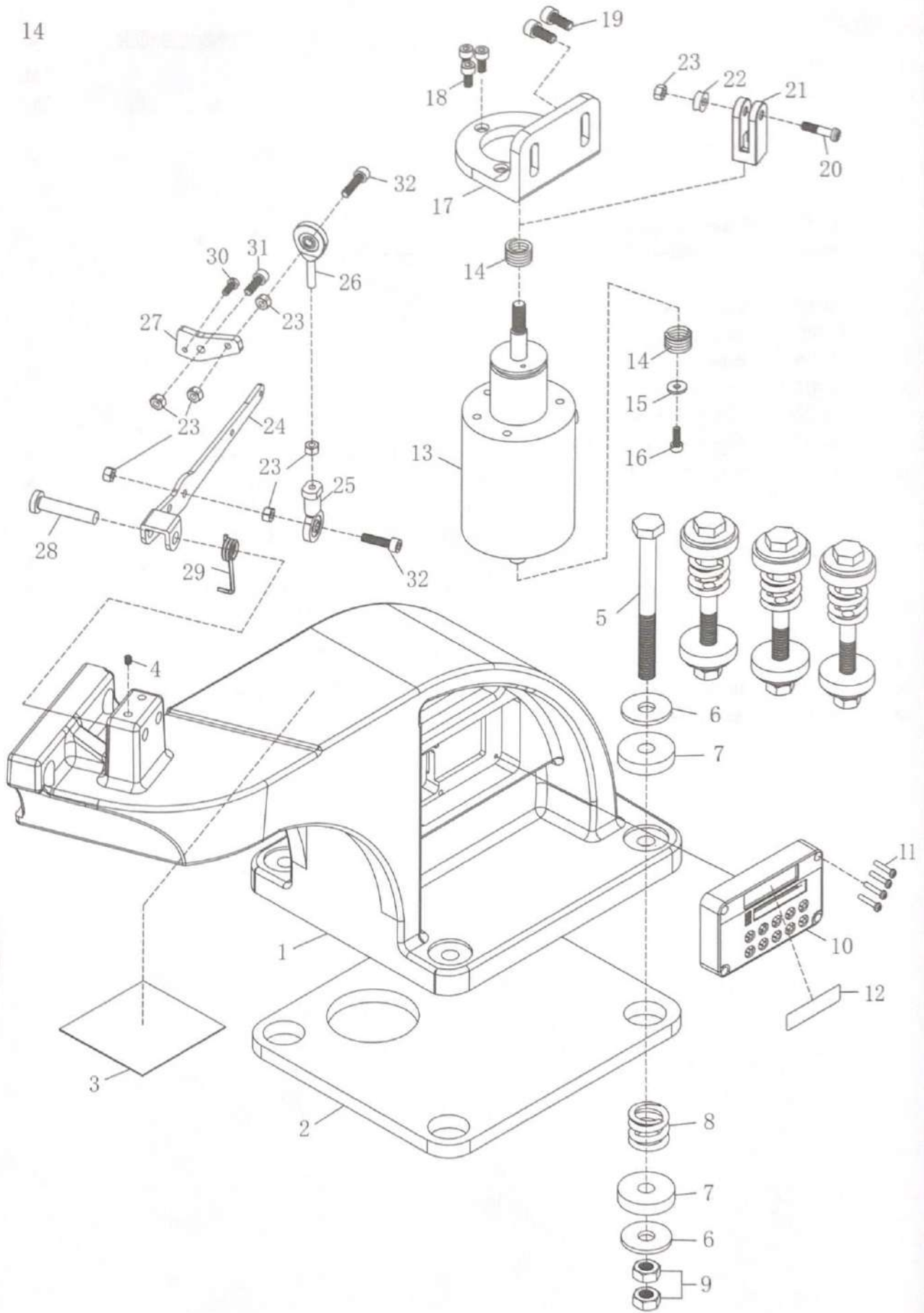
12

<u>Ref.</u>	<u>Parts.</u>	<u>Description</u>	<u>品 名</u>	<u>Amt.</u>
<u>No.</u>	<u>No.</u>			<u>Req.</u>
41	A1241	Main Feed Dog.....	主齒.....	1
42	A1242	Stitch Plate.....	針板.....	1
43	A0506	Screw(1/8-44x4).....	螺絲.....	1
44	A0635	Chip Guard Plate.....	切角防護片座.....	1
45	A0664	Screw(3/32-56x4).....	螺絲.....	1
46	A0219	Dust Defender(Upper).....	防塵蓋(上).....	1
47	A0545	Stitch Plate Tongue.....	針板舌片.....	1
48	A0546	Screw(3/32-56x 2.8).....	螺絲.....	1
49	A1249	Stitch Plate, C. Set.....	針板組(雙切5.2).....	1

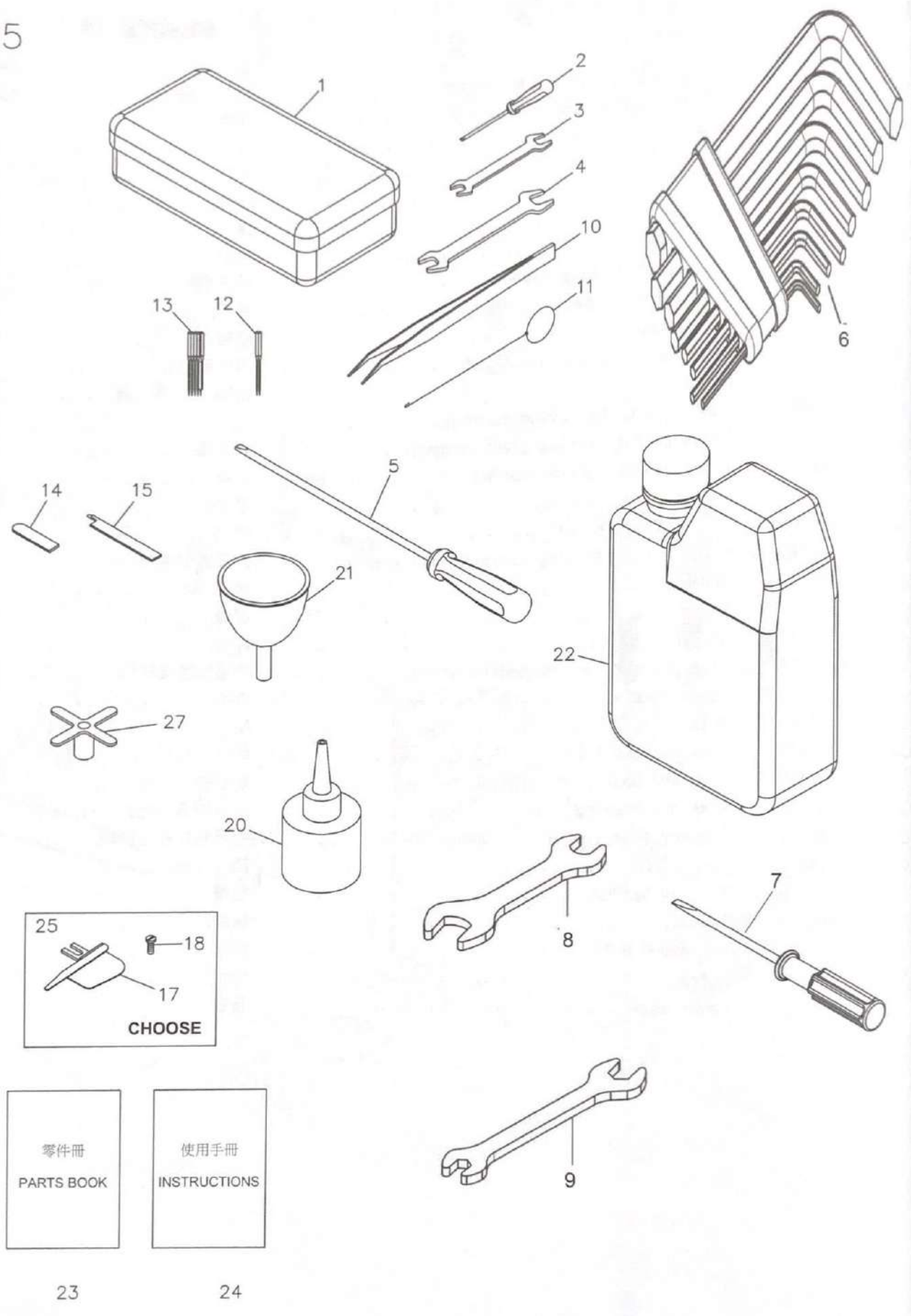
13



<u>Ref.</u>	<u>Parts.</u>			<u>Amt.</u>
<u>No.</u>	<u>No.</u>	<u>Description</u>	<u>品 名</u>	<u>Req.</u>
1				
2	A1302	Screw(3/8-16x30).....	螺絲.....	2
3				
4				
5	A1305	Coupling(Small).....	聯軸器(小).....	1
6	A1306	Screw(M5-0.8x8).....	螺絲.....	8
7				
8	A1308	Cup Dolly.....	圓形底座.....	1
	A1308-1	Squsre Base.....	方形底座.....	1
9	A1309	Handwheel.....	馬達手輪.....	1
10	A1310	Coupling(Middle).....	聯軸器(中).....	1
11	A1311	Coupling(Big).....	聯軸器(大).....	1
12	A1312	Servo Moter.....	伺服馬達.....	1
13	A1313	Screw(M6-1x16).....	螺絲.....	4
14	A1314	Shim.....	墊片.....	2
	A1314-1	Corrugated Gasket.....	波形墊片.....	1
	A1314-2	Snap Ring.....	卡環.....	1
15	A1315	Screw(M6-1x15).....	螺絲.....	4
16				
17				
18				
19	A1319	Motor Cover.....	馬達蓋.....	1
20	A1320	Screw(M4-0.7x10).....	螺絲.....	3



<u>Ref.</u>	<u>Parts.</u>			<u>Amt.</u>
<u>No.</u>	<u>No.</u>	<u>Description</u>	<u>品 名</u>	<u>Req.</u>
1	A1401	Sewing machine support block.....	底座.....	1
2	A1402	Rubber pad.....	橡膠墊.....	1
3	A1403	trademark or card.....	標牌.....	1
4	A1404		螺絲.....	1
5	A1405	Screw.....	螺杆.....	4
6	A1406	Thrust Ring.....	墊片.....	8
7	A1407	Base weight-saving rubber.....	橡膠墊片.....	8
8	A1408	Base weight reducing spring.....	彈簧.....	4
9	A1409	Nut.....	螺帽.....	8
10	A1410	Electronic control display.....	電控顯示器.....	1
11	A1411	Screw.....	螺絲.....	4
12	A0161	Famous brand of sewing machine.....	銘牌.....	1
13	A1413	Presser foot lifting electromagnet.....	電磁鐵.....	1
14	A1414	Electromagnet buffer spring.....	彈簧.....	2
15	WF06	Thrust Ring.....	墊片.....	1
16	7870833	Screw (M4-0.7*5.5).....	螺絲.....	1
17	A1417	Presser foot lifting electromagnet bracket.....	抬壓腳電磁鐵支架.....	1
18	SV252NI	Screw.....	螺絲.....	3
19	SV268NI	Screw.....	螺絲.....	2
20	22-16	Screw.....	螺絲.....	1
21	22-14	Lift presser foot connecting lever.....	抬壓腳連接杠杆.....	1
22	22-15	Guide wheel.....	導輪.....	1
23	NV12	Nut.....	螺帽.....	7
24	A1424	Presser foot lever.....	抬壓腳杠杆.....	1
25	A1425	Fish eye bearing (inner).....	魚眼軸承(內).....	1
26	A1426	Fish eye bearing (outer).....	魚眼軸承(外).....	1
27	A1427	Presser foot lift lever connecting block.....	抬壓腳杠杆連接塊.....	1
28	A1428	pin.....	銷.....	1
29	A1429	Torsion spring.....	扭簧.....	1
30	7870125	Screw.....	螺絲.....	5
31	7870634NI	ScrewM5-0.8*14.....	螺絲.....	1
32	15001246	Screw.....	螺絲.....	1
33	A1433	Cover plate.....	蓋板.....	1



25

17

18

CHOOSE

零件册
PARTS BOOK

23

使用手册
INSTRUCTIONS

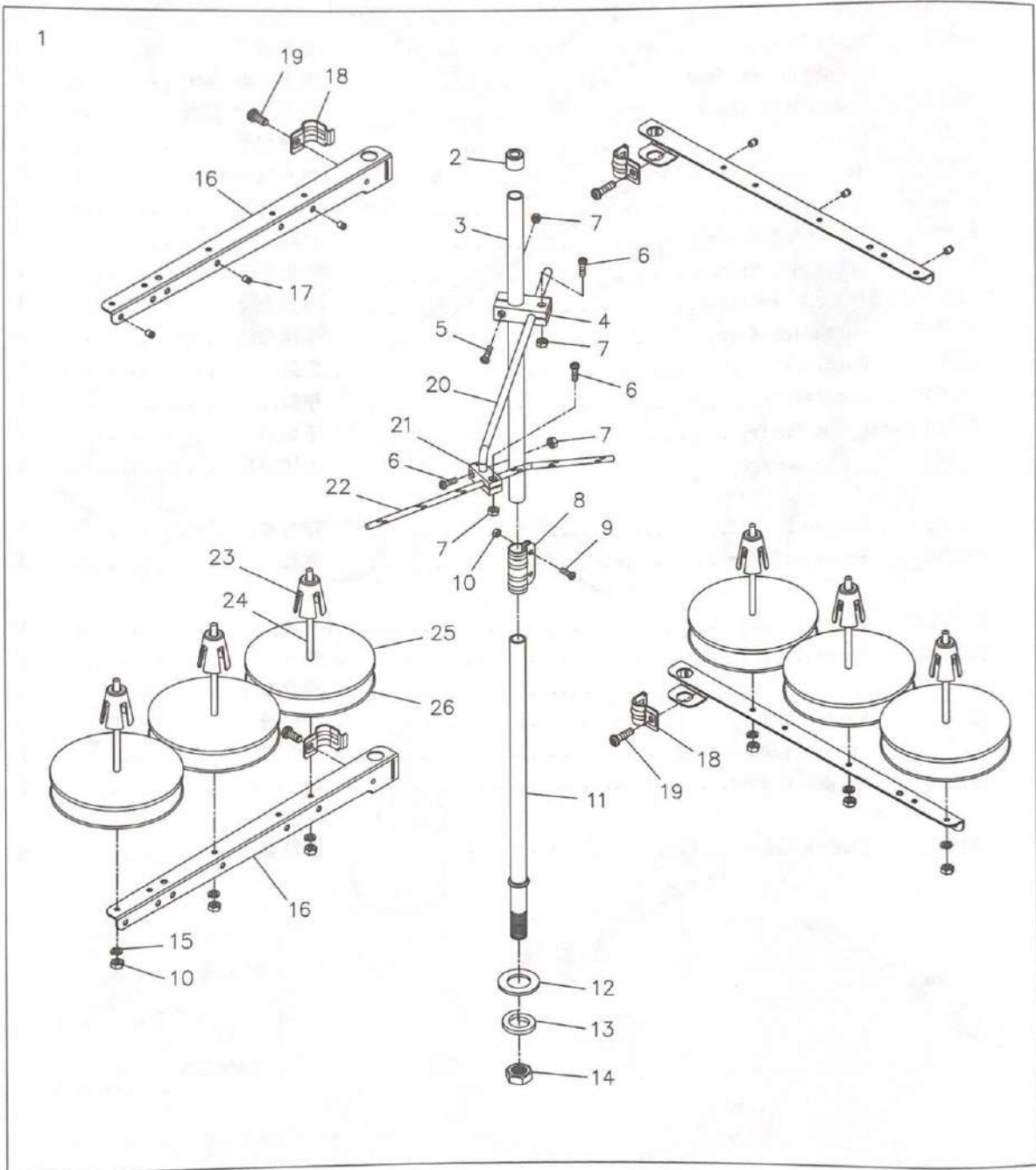
24

ATTACHMENT

附件

15

Ref. No.	Parts. No.	Description	品 名	Amt. Req.
1	7873222	Box.....	小白盒.....	1
2	B1502	Screwdriver.....	螺絲起子.....	1
3	B1503	Wrench (5.5mm-7mm).....	板手 (6mm-7mm).....	1
4	15001627	Wrench (8mm-10mm).....	板手 (8mm-10mm).....	1
5	7873216	Screwdriver.....	螺絲起子.....	1
6	B1506	Hexagonal Wrench (1.5mm).....	內六角板手組.....	1
7	7873218	Screwdriver.....	小螺絲刀.....	1
8	B1508	Hexagonal Wrench.....	17#板手.....	1
9	B1509	Hexagonal Wrench.....	5#板手.....	1
10	15001628	Thread Tweezers.....	穿線夾.....	1
11	7873215	Threading Wire.....	穿線鐵絲.....	2
12	A0542F	Retainer.....	假針.....	5
13	A0541F	Needle.....	擊針.....	1
14	A0630	Lower Knife.....	下切刀.....	1
15	A0742	.	上切刀片.....	1
16				
17	B1517	Folder.....	導布器.....	1
18	B1518	Screw (1/8-44x13).....	螺絲.....	1
19				
20	7873301	Oiler.....	油壺.....	1
21	7873302	Funnel.....	漏斗.....	1
22	B1522	Oil.....	潤滑油.....	1
23	B1523	Parts List.....	零件冊.....	1
24	B1524	Instruction Manual.....	說明書.....	1
25	B1525	Folder, C. Set.....	導布器組.....	1
26				
27	B1527	Stable Cap.....	穩定套.....	6

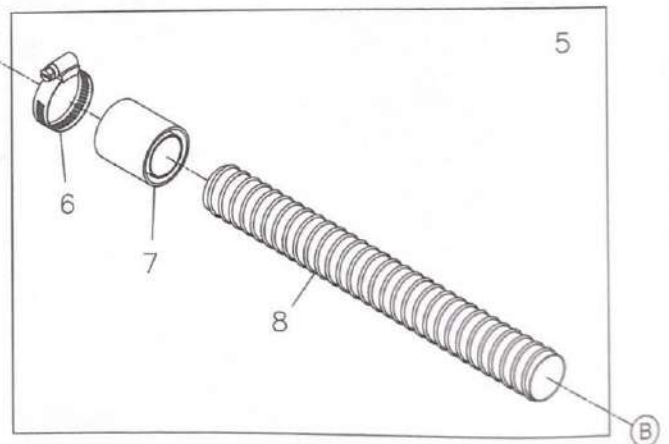
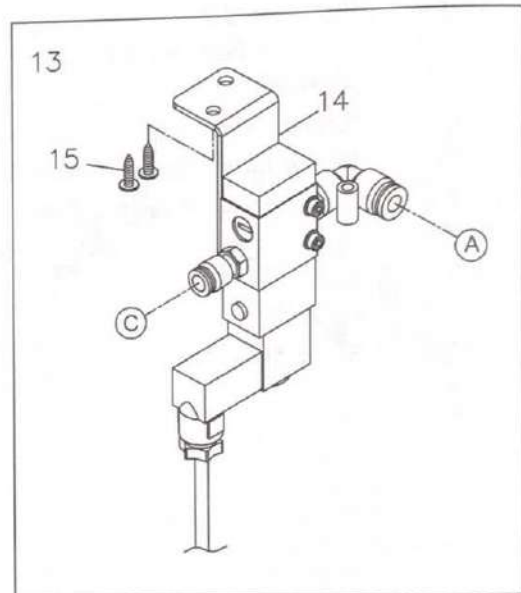
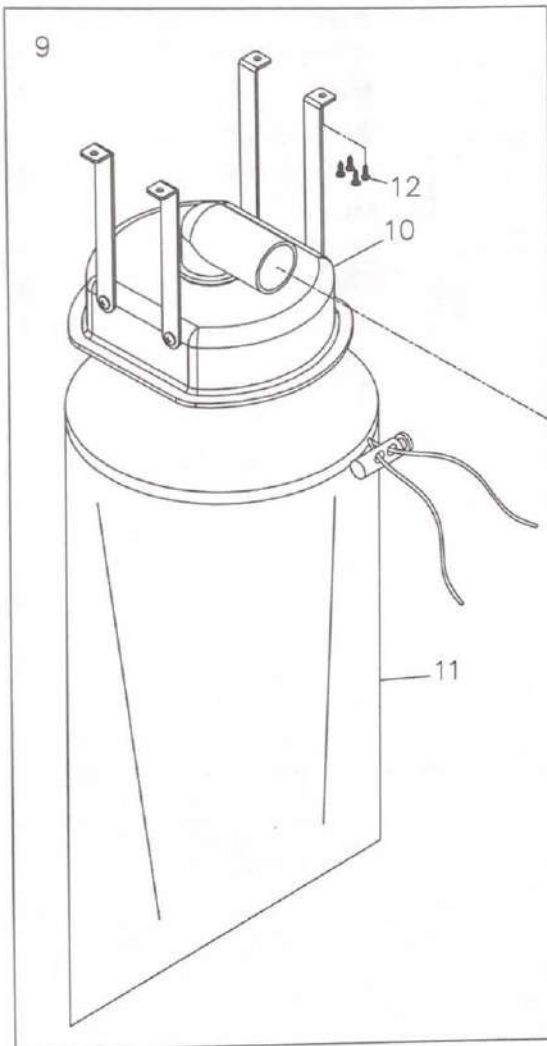
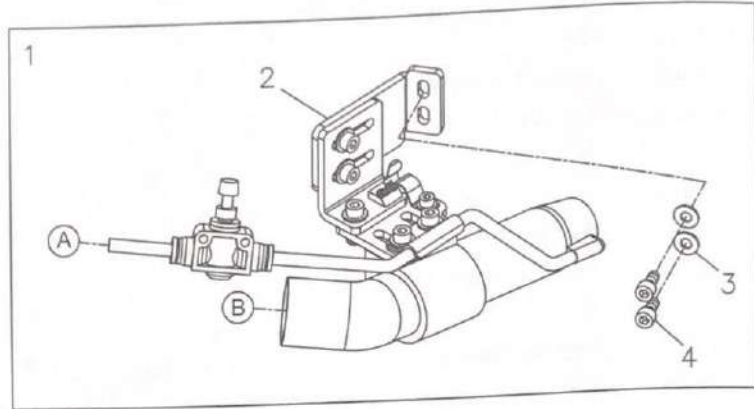
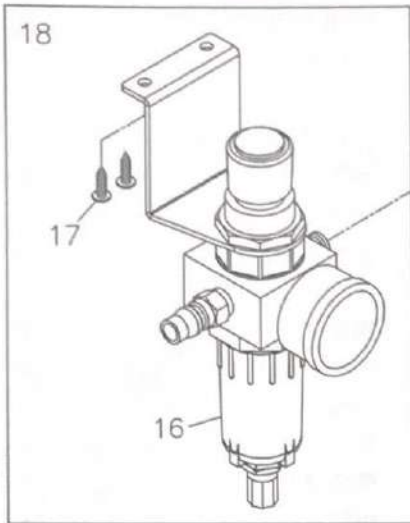


THREAD STAND

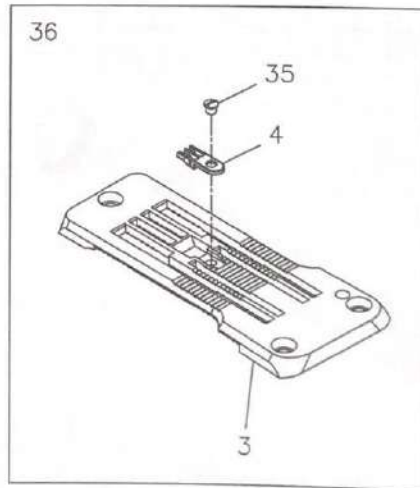
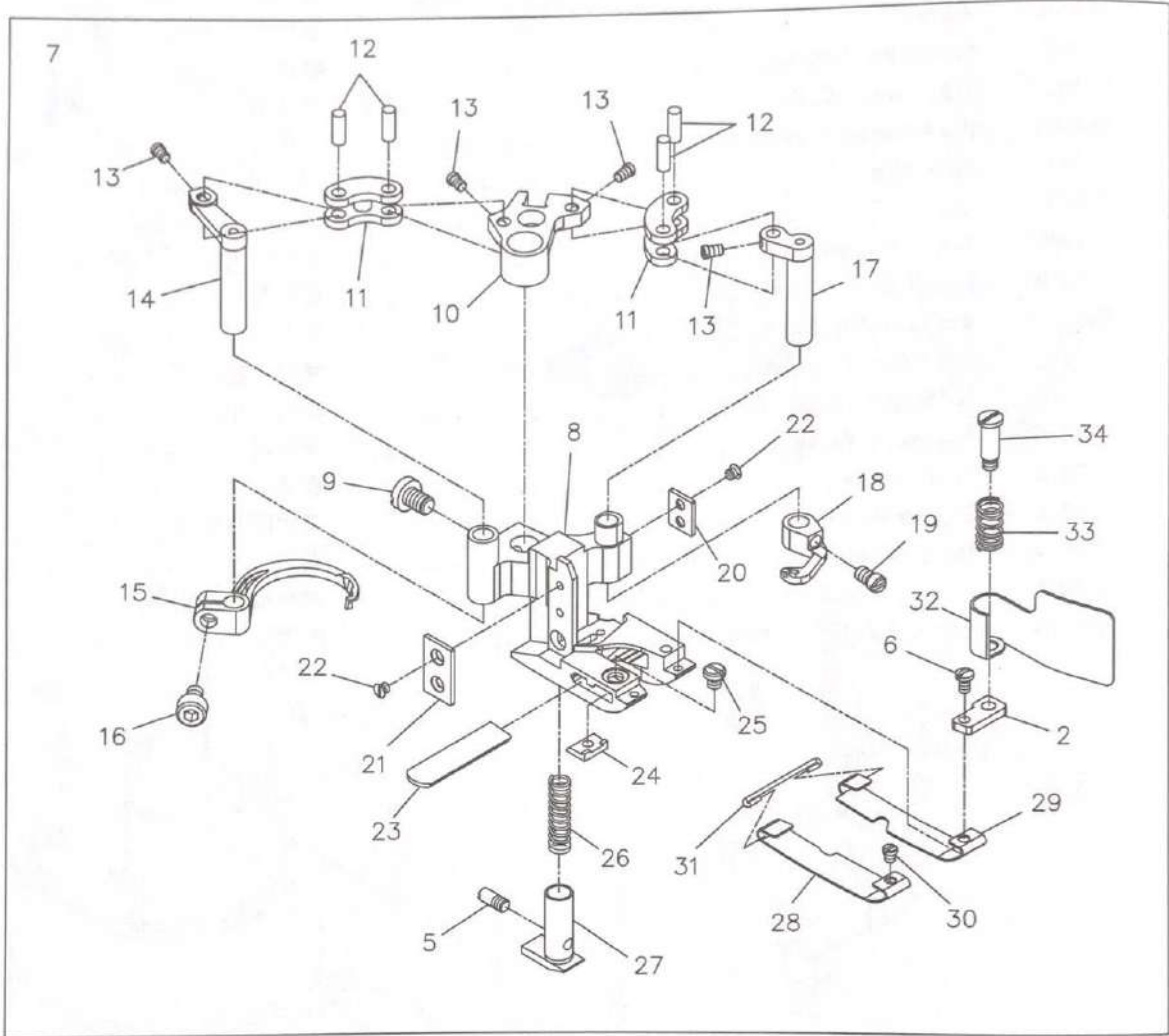
線架組

16

<u>Ref.</u>	<u>Parts.</u>			<u>Amt.</u>
<u>No.</u>	<u>No.</u>	<u>Description</u>	<u>品 名</u>	<u>Req.</u>
1	B16001	Thread Stand, C. Set(6 Spools Type).....	線架(六線用).....	1
2	B16002	Column Cap.....	柱頭蓋.....	1
3	B16003	Column Pipe(Upper).....	上線柱.....	1
4	B16004	Thread Guide Holder(Large).....	過線杆固定座(大).....	1
5	B16005	Screw(M4-0.7x20).....	螺絲.....	1
6	B16006	Screw(M4-0.7x12).....	螺絲.....	3
7	B16007	Nut.....	螺帽.....	4
8	B16008	Column Pipe Connector.....	線柱接頭.....	1
9	B16009	Screw(M5-0.8x13).....	螺絲.....	2
10	B16010	Nut.....	螺帽.....	8
11	B16011	Column Pipe(Lower).....	下線柱.....	1
12	B16012	Washer.....	墊片.....	1
13	B16013	Spring Washer.....	彈簧墊片.....	1
14	B16014	Nut.....	螺帽.....	1
15	B16015	Spring Washer.....	彈簧墊片.....	6
16	B16016	Thread Hanger(3 Spools Type).....	3孔過線吊臂.....	4
17	B16017	Thread Eyelet.....	過線孔.....	6
18	B16018	Thread Hanger Holder.....	過線吊臂固定座.....	4
19	B16019	Screw(M6-1×15).....	螺絲.....	4
20	B16020	Thread Guide Arm.....	過線杆連接臂.....	1
21	B16021	Thread Guide Holder(Small).....	過線固定座(小).....	1
22	B16022	Thread Guide(6 Spools Type).....	6孔過線孔.....	1
23	B16023	Spool Cushion.....	線軸避震座.....	6
24	B16024	Spool Pin.....	線軸柱.....	6
25	B16025	Spool Mat.....	線軸墊.....	6
26	B16026	Spool Seat Disc.....	線軸底盤.....	6



<u>Ref.</u>	<u>Parts.</u>	<u>Description</u>	<u>品 名</u>	<u>Amt.</u>
<u>No.</u>	<u>No.</u>			<u>Req.</u>
1	B17001	Suction Pipe Unit, C. Set.....	吸布管組.....	1
2	B17002	Suction Pipe Unit.....	吸布管.....	1
3	B17003	Washer.....	墊片.....	2
4	B1402	Screw(M5-0.8x10).....	螺絲.....	2
5	B17005	Take Over, C. Set.....	接管組.....	1
6	B17006	Hose Band.....	管束.....	1
7	B17007	Take Over.....	轉接頭.....	1
8	B17008	Spiral Pipe.....	螺旋管.....	1
9	B17009	Waste Gather System, C. Set.....	集布袋組.....	1
10	B17010	Waste Gather Cover.....	集布蓋.....	1
11	B17011	Waste Gather Bag.....	集布袋.....	1
12	B17012	Wood Screw.....	螺絲.....	4
13	B17013	Solenoid Valve, C. Set.....	電磁閥組.....	1
14	B17014	Solenoid Valve.....	電磁閥.....	1
15	B17015	Wood Screw.....	螺絲.....	2
16	B23016	Filter Regulator.....	調壓節檢程式.....	1
17	B23017	Wood Screw.....	螺絲.....	2
18	B24016	Filter Regulator, C. Set.....	調壓節檢程式組.....	1
19	B23015	Air Tube(4x6x250mm).....	PU管.....	1

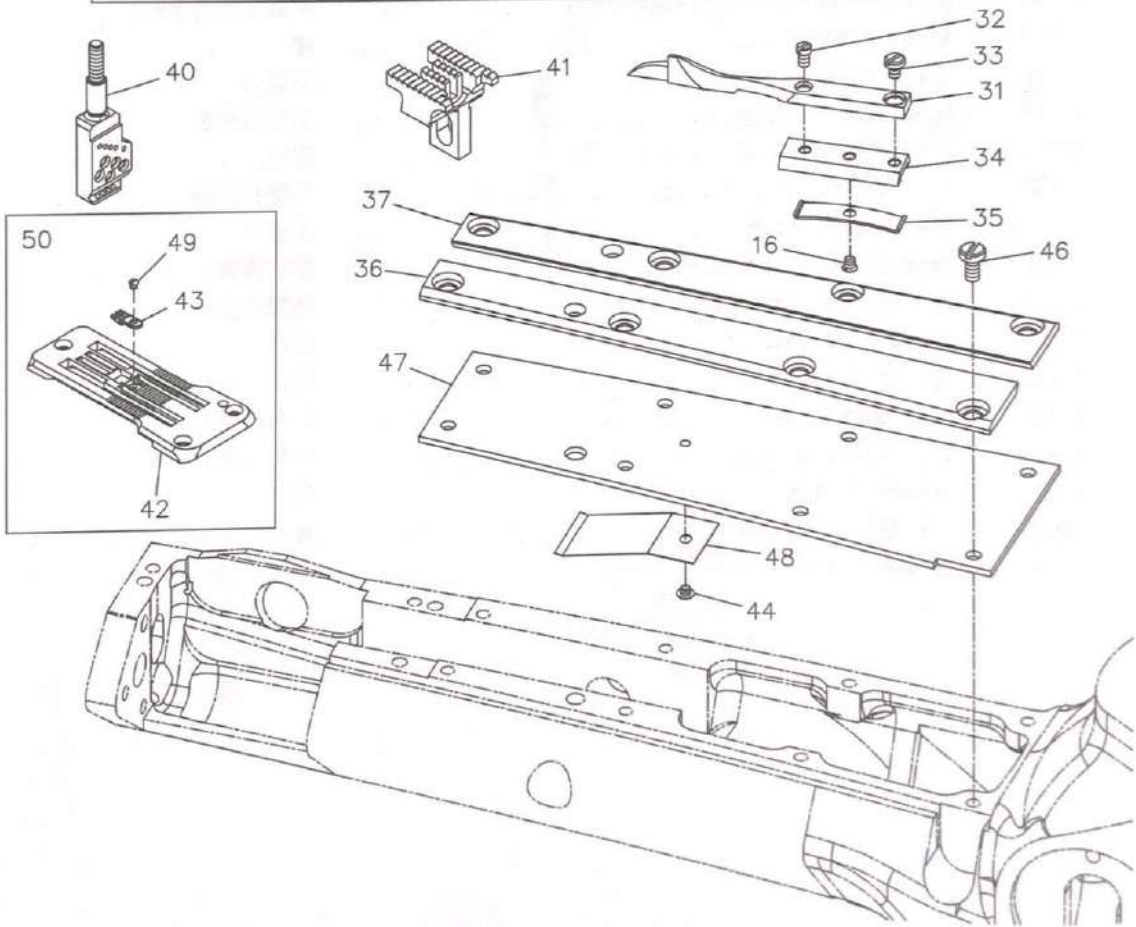
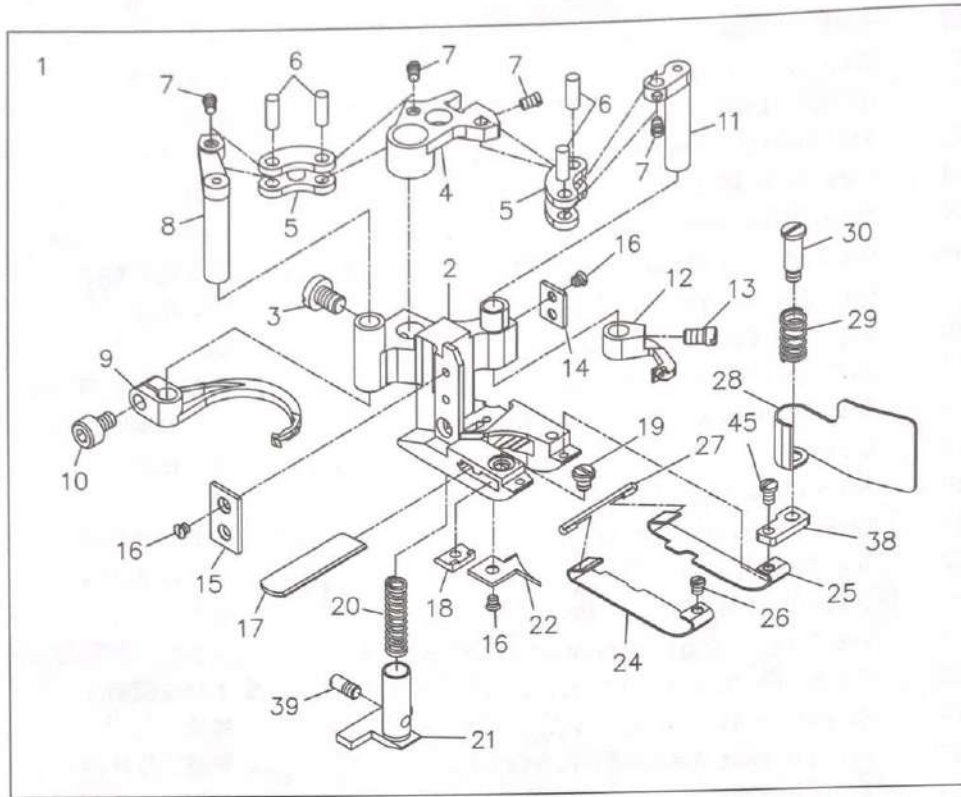


01MS EXCLUSIVE PARTS

專用零件

18

<u>Ref.</u>	<u>Parts.</u>			<u>Amt.</u>
<u>No.</u>	<u>No.</u>	<u>Description</u>	<u>品 名</u>	<u>Req.</u>
1	A0559	Needle Clamp.....	針鉗.....	1
2	A0635	Chip Guard Plate.....	切角防護片座.....	1
3	A0560	Stitch Plate.....	針板.....	1
4	A0561	Stitch Plate Tongue.....	針板舌片.....	1
5	A0506	Screw(1/8-44x4).....	螺絲.....	1
6	A0664	Screw(3/32-56x4).....	螺絲.....	1
7	A0666	One Side Cut Presser Foot, C.Set.....	單切壓腳組.....	1
8	A0667	One Side Cut Presser Foot.....	單切壓腳.....	1
9	A0616	Screw(11/64-40x6.5).....	螺絲.....	1
10	A0617	Carrier/Hook Driving Segment.....	上勾針驅動扇形片.....	1
11	A0618	Carrier/Hook Driving Lever Link.....	上勾針驅動連杆.....	2
12	A0619	Link Pin.....	連杆插銷.....	4
13	A0620	Screw(3/32-56x3.3).....	螺絲.....	4
14	A0621	Thread Hook Driving Lever.....	勾針驅動杆.....	1
15	A0622	Top Cover Thread Hook.....	上飾線過線勾.....	1
16	A0623	Screw(9/64-40x7).....	螺絲.....	1
17	A0624	Top Cover Thread Carrier Driving Lever.....	上飾線托架驅動杆.....	1
18	A0669	Top Cover Thread Carrier.....	上飾線托架.....	1
19	A0626	Screw(1/8-44x5.3).....	螺絲.....	1
20	A0627	Presser Foot Attach Piece(Right).....	壓腳連接片(右).....	1
21	A0628	Presser Foot Attach Piece(Left).....	壓腳連接片(左).....	1
22	A0629	Screw(3/32-56x2.5).....	螺絲.....	4
23	A0630	Lower Knife.....	下切刀.....	1
24	A1218	Lower Knife Clamp.....	下切刀夾板.....	1
25	A0632	Screw(1/8-44x3.5).....	螺絲.....	1
26	A0633	Yielding Section Spring.....	小壓具彈簧.....	1
27	A0634	Yielding Section.....	小壓具.....	1
28	A0636	Presser Foot Spring Plate(Left).....	壓腳彈簧片(左).....	1
29	A0637	Presser Foot Spring Plate(Right).....	壓腳彈簧片(右).....	1
30	A0638	Screw(3/32-56x2.6).....	螺絲.....	1
31	A0639	Spring Plate Holder.....	彈簧片固定鐵勾.....	1
32	A1228	Chip Guard.....	切角防護片.....	1
33	A0641	Chip Guard Spring.....	切角防護片彈簧.....	1
34	A0642	Screw(1/8-44x2.2).....	螺絲.....	1
35	A0546	Screw(3/32-56x2.8).....	螺絲.....	1
36	A0576	Stitch Plate, C.Set.....	針板組(單切6.0).....	1

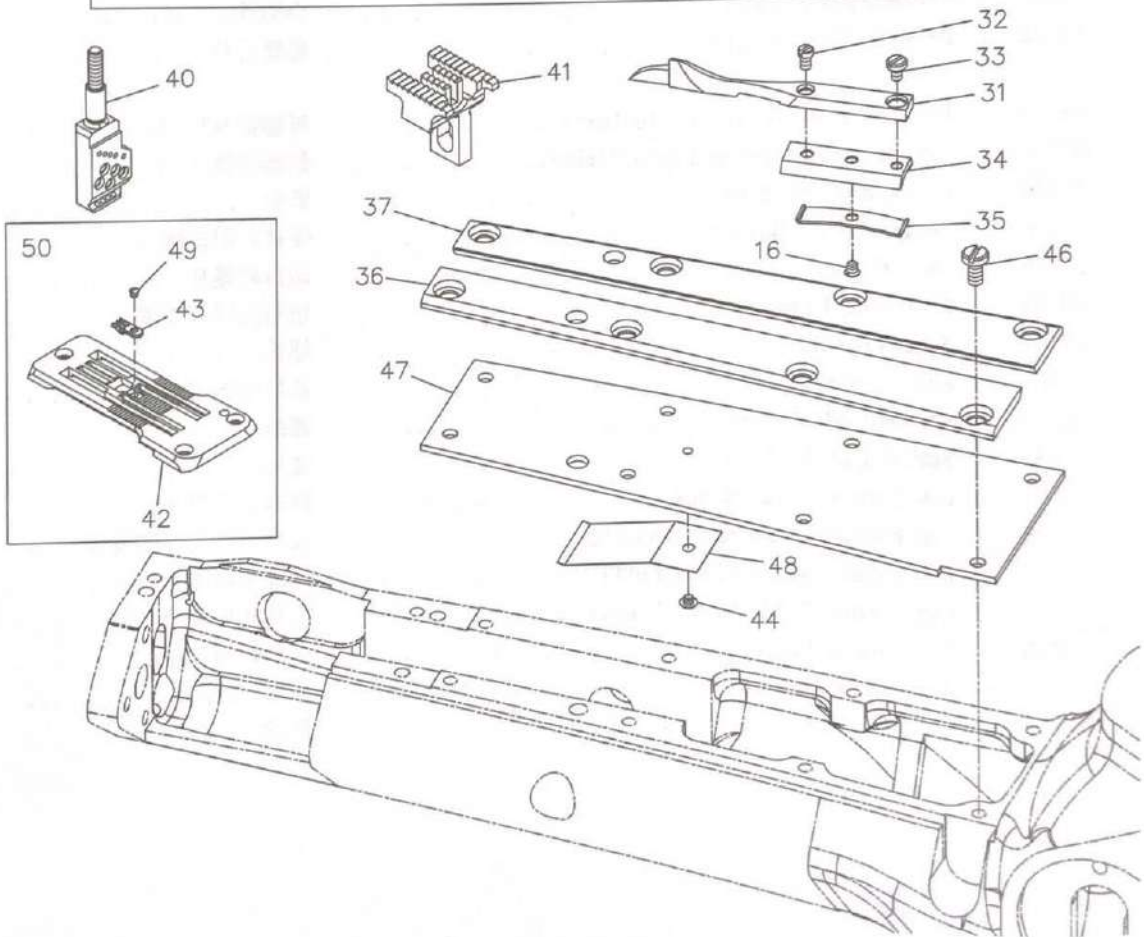
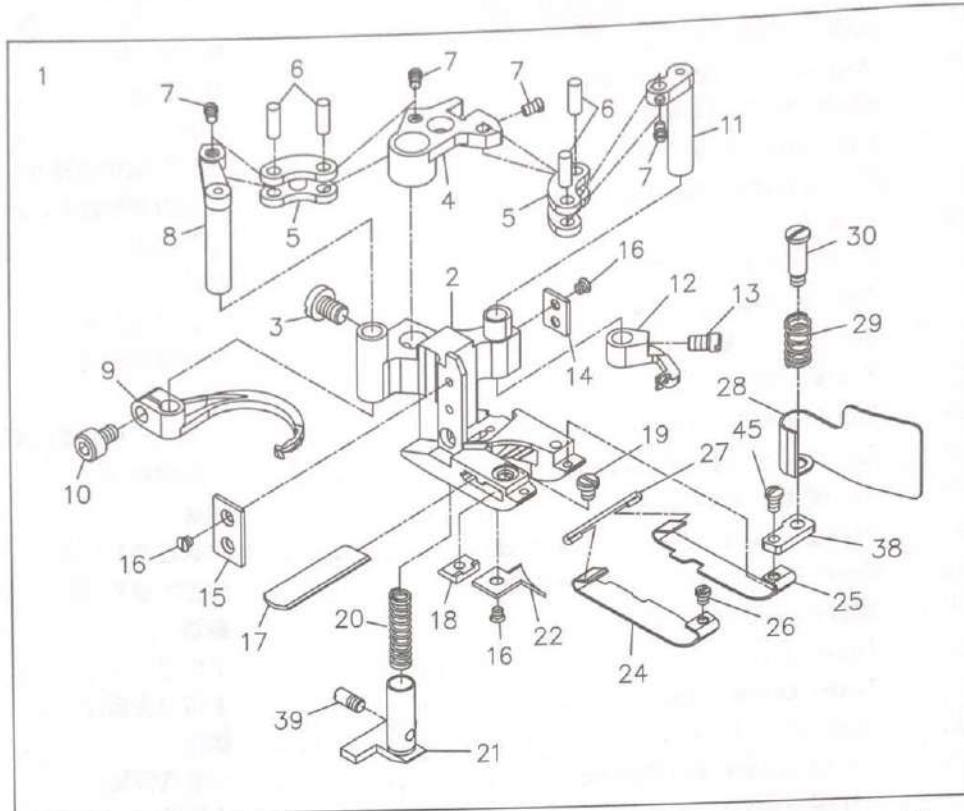


12MS EXCLUSIVE PARTS

專用零件

19

Ref.	Parts.	Description	品名	Amt.
No.	No.			Req.
1	A1257	Double Side Cut Presser Foot, C. Set.....	雙切壓腳組.....	1
2	A1256	Double Side Cut Presser Foot.....	雙切壓腳.....	1
3	A0616	Screw(11/64-40x6.5).....	螺絲.....	1
4	A0617	Carrier/Hook Driving Segment.....	上勾針驅動扇形片.....	1
5	A0618	Carrier/Hook Driving Lever Link.....	上勾針驅動連杆.....	2
6	A0619	Link Pin.....	連杆插銷.....	4
7	A0620	Screw(3/32-56x3.3).....	螺絲.....	4
8	A0621	Thread Hook Driving Lever.....	勾針驅動杆.....	1
9	A0622	Top Cover Thread Hook.....	上飾線過線勾.....	1
10	A0623	Screw(9/64-40x7).....	螺絲.....	1
11	A0624	Top Cover Thread Carrier Driving Lever.....	上飾線托架驅動杆.....	1
12	A0669	Top Cover Thread Carrier.....	上飾線托架.....	1
13	A0626	Screw(1/8-44x5.3).....	螺絲.....	1
14	A0627	Presser Foot Attach Piece(Right).....	壓腳連接片(右).....	1
15	A0628	Presser Foot Attach Piece(Left).....	壓腳連接片(左).....	1
16	A0629	Screw(3/32-56x2.5).....	螺絲.....	6
17	A0630	Lower Knife.....	下切刀.....	1
18	A1218	Lower Knife Clamp.....	下切刀夾板.....	1
19	A0632	Screw(1/8-44x3.5).....	螺絲.....	1
20	A0633	Yielding Section Spring.....	小壓具彈簧.....	1
21	A1221	Yielding Section.....	小壓具.....	1
22	A1222	Presser Foot Tongue.....	壓腳舌片.....	1
23				
24	A1224	Presser Foot Spring Plate(Left).....	壓腳彈簧片(左).....	1
25	A1225	Presser Foot Spring Plate(Right).....	壓腳彈簧片(右).....	1
26	A0638	Screw(3/32-56x2.6).....	螺絲.....	1
27	A0639	Spring Plate Holder.....	彈簧片固定鐵勾.....	1
28	A1228	Chip Guard.....	切角防護片.....	1
29	A0641	Chip Guard Spring.....	切角防護片彈簧.....	1
30	A0642	Screw(1/8-44x 2.2).....	螺絲.....	1
31	A1231	Lap Former.....	前導布器(薄料用).....	1
32	A1232	Screw(3/32-56x3.8).....	螺絲.....	1
33	A1233	Screw(3/32-56x3.8).....	螺絲.....	1
34	A1234	Lap Former Slide Block.....	前導布器滑塊.....	1
35	A1235	Lap Former Slide Block Spring.....	前導布器滑塊彈簧片.....	1
36	A1236	Lap Former Guide Plate(Left).....	前導布器導軌(左).....	1
37	A1237	Lap Former Guide Plate(Right).....	前導布器導軌(右).....	1
38	A0635	Chip Guard Plate.....	切角防護片座.....	1
39	A0506	Screw(1/8-44x4).....	螺絲.....	1
40	A0559	Needle Clamp.....	針釧.....	1

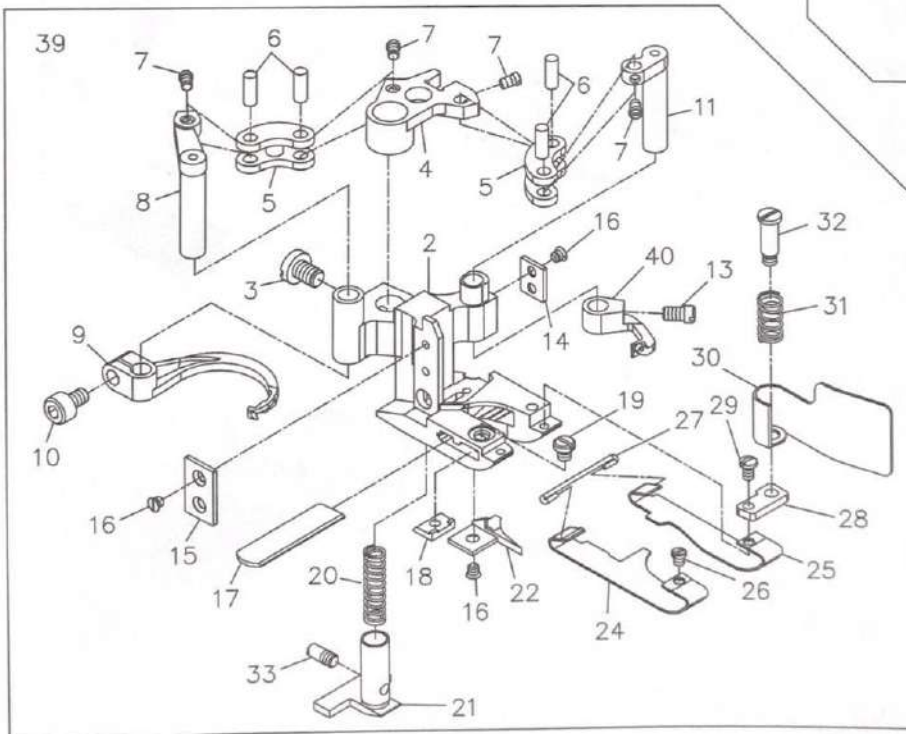
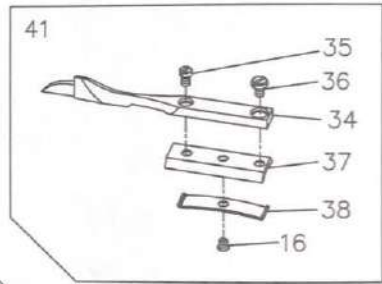
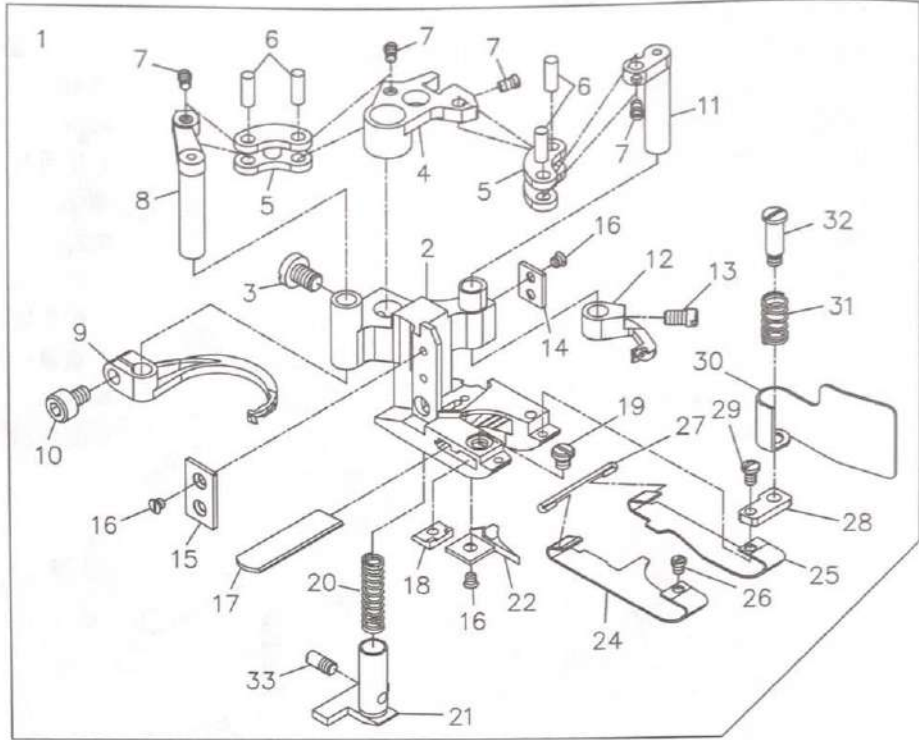


12MS EXCLUSIVE PARTS

專用零件

19

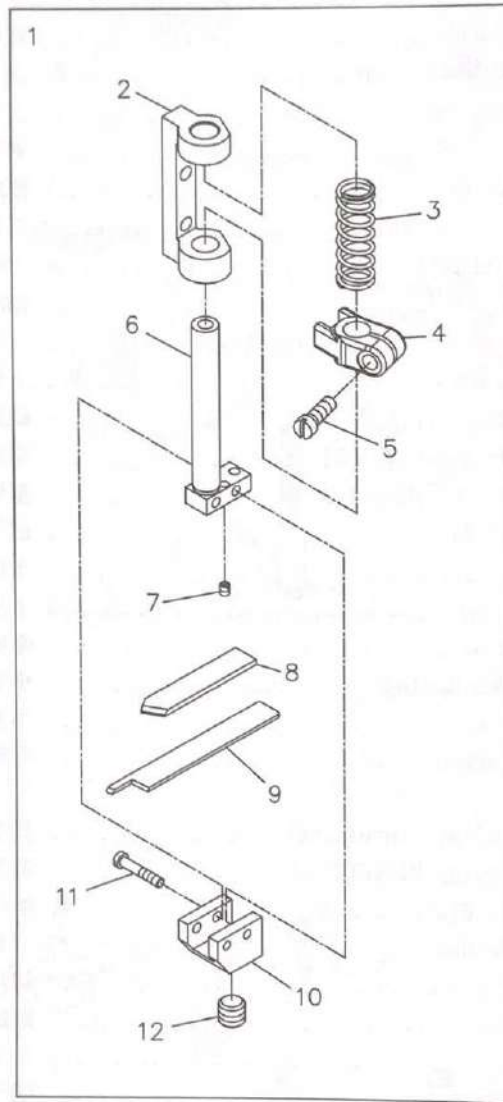
<u>Ref.</u>	<u>Parts.</u>	<u>Description</u>	<u>品 名</u>	<u>Amt.</u>
<u>No.</u>	<u>No.</u>			<u>Req.</u>
41	A1241	Main Feed Dog.....	主齒.....	1
42	A1255	Stitch Plate.....	針板.....	1
43	A0561	Stitch Plate Tongue.....	針板舌片.....	1
44	A0220	Screw(3/32-56x1.7).....	螺絲.....	1
45	A0664	Screw(3/32-56x4).....	螺絲.....	1
46	A0218	Screw(1/8-44x6.5).....	螺絲.....	8
47	A1239	Sewing Cylinder Cover(Upper).....	下巴蓋板.....	1
48	A0219	Dust Defender(Upper).....	防塵蓋(上).....	1
49	A0546	Screw(3/32-56x2.8).....	螺絲.....	1
50	A1252	Stitch Plate, C. Set.....	針板組(雙切6.0).....	1



12HR/12HS EXCLUSIVE PARTS

專用零件 20

Ref.	Parts.	Description	品名	Amt.
No.	No.			Req.
1	B1901	Double Side Cut Presser Foot, C. Set.....	雙切壓腳組.....	1
2	B1902	Double Side Cut Presser Foot.....	雙切壓腳.....	1
3	A0616	Screw(11/64-40x6.5).....	螺絲.....	1
4	A0617	Carrier/Hook Driving Segment.....	上勾針驅動扇形片.....	1
5	A0618	Carrier/Hook Driving Lever Link.....	上勾針驅動連杆.....	2
6	A0619	Link Pin.....	連杆插銷.....	4
7	A0620	Screw(3/32-56x3.3).....	螺絲.....	4
8	A0621	Thread Hook Driving Lever.....	勾針驅動杠杆.....	1
9	A0622	Top Cover Thread Hook.....	上飾線過線勾.....	1
10	A0623	Screw(9/64-40x7).....	螺絲.....	1
11	A0624	Top Cover Thread Carrier Driving Lever.....	上飾線托架驅動杠杆.....	1
12	A0625	Top Cover Thread Carrier.....	上飾線托架.....	1
13	A0626	Screw(1/8-44x5.3).....	螺絲.....	1
14	A0627	Presser Foot Attach Piece(Right).....	壓腳連接片(右).....	1
15	A0628	Presser Foot Attach Piece(Left).....	壓腳連接片(左).....	1
16	A0629	Screw(3/32-56x2.5).....	螺絲.....	6
17	B1917	Lower Knife.....	下切刀.....	1
18	A1218	Lower Knife Clamp.....	下切刀夾板.....	1
19	A0632	Screw(1/8-44x3.5).....	螺絲.....	1
20	A0633	Yielding Section Spring.....	小壓具彈簧.....	1
21	A1221	Yielding Section.....	小壓具.....	1
22	B1922	Presser Foot Tongue.....	壓腳舌片.....	1
23				
24	B1924	Presser Foot Spring Plate(Left).....	壓腳彈簧片(左).....	1
25	B1925	Presser Foot Spring Plate(Right).....	壓腳彈簧片(右).....	1
26	A0638	Screw(3/32-56x2.6).....	螺絲.....	1
27	A0639	Spring Plate Holder.....	彈簧片固定鐵勾.....	1
28	A0635	Chip Guard Plate.....	切角防護片座.....	1
29	A0664	Screw(3/32-56x4).....	螺絲.....	1
30	A1228	Chip Guard.....	切角防護片.....	1
31	A0641	Chip Guard Spring.....	切角防護片彈簧.....	1
32	A0642	Screw(1/8-44x2.2).....	螺絲.....	1
33	A0506	Screw(1/8-44x4).....	螺絲.....	1
34	B1933	Lap Former.....	前導布器(厚料用).....	1
35	A1232	Screw(3/32-56x3.8).....	螺絲.....	1
36	A1233	Screw(3/32-56x3.8).....	螺絲.....	1
37	A1234	Lap Former Slide Block.....	前導布器滑塊.....	1
38	A1235	Lap Former Slide Block Spring.....	前導布器滑塊彈簧片.....	1
39	B6012H	Double Side Cut Presser Foot, C. Set.....	雙切壓腳組.....	1
40	A0669	Top Cover Thread Carrier.....	上飾線托架.....	1
41	B1934	Lap Former, C. Set.....	前導布器組(厚料用).....	1



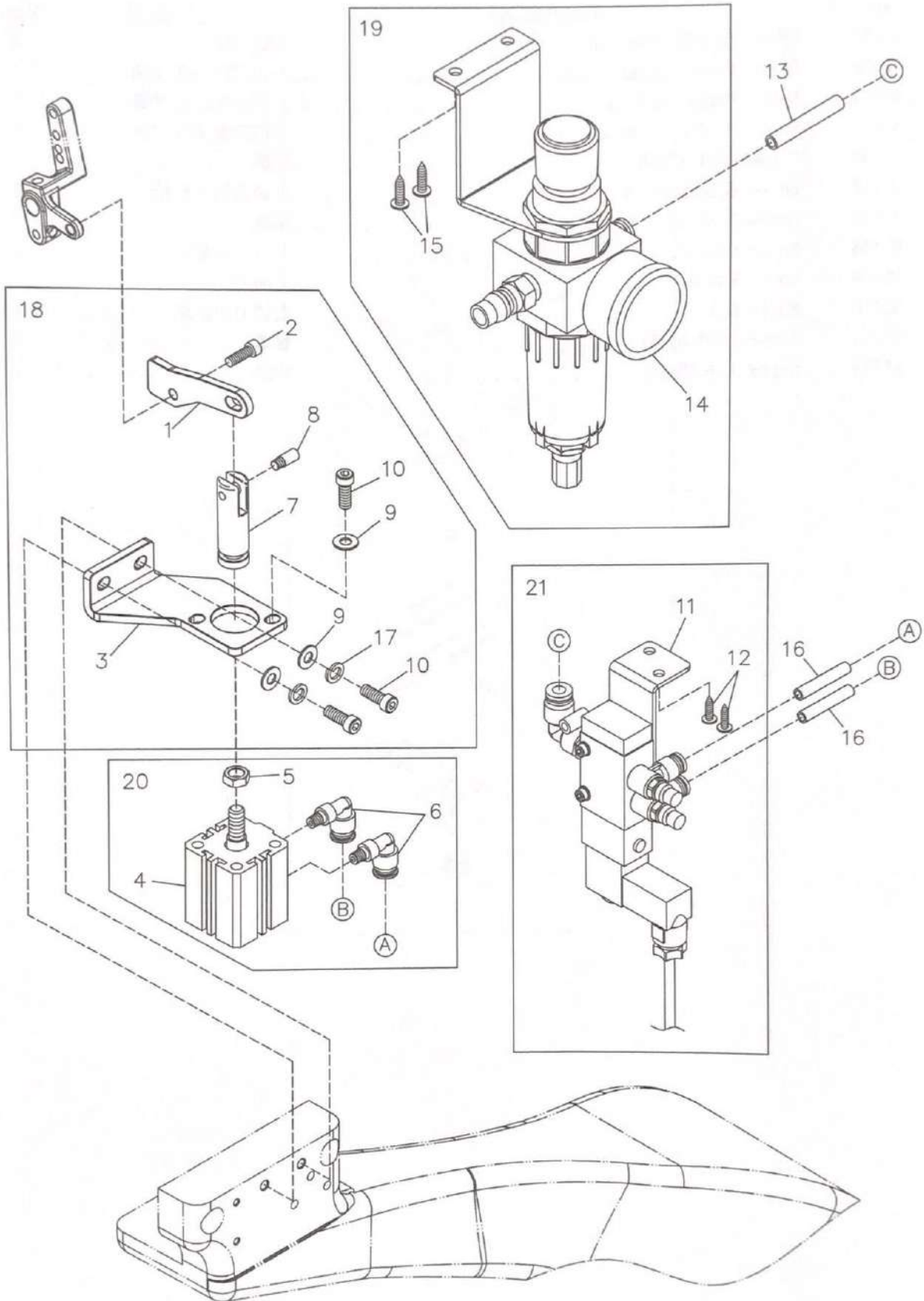
12HR/12HS EXCLUSIVE PARTS

專用零件

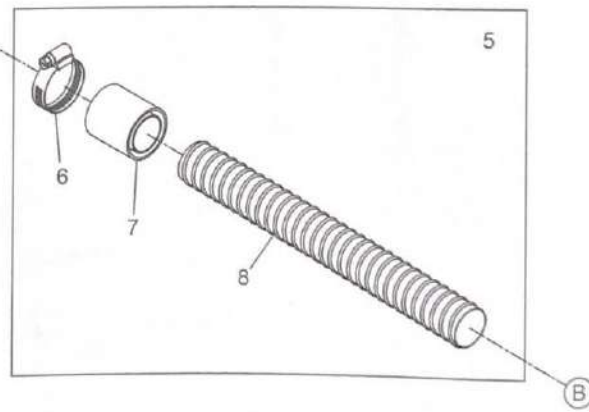
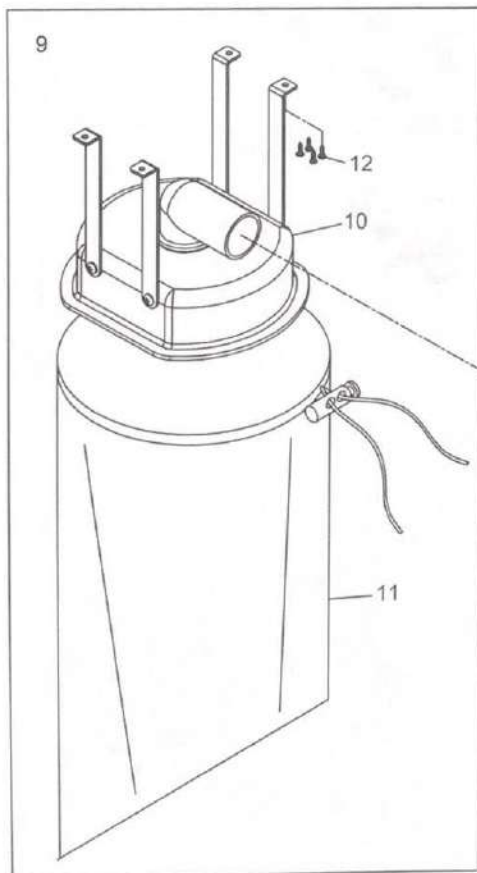
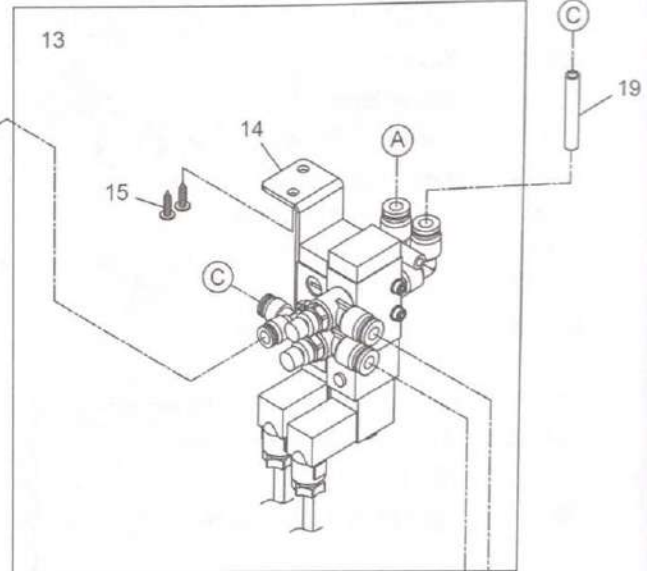
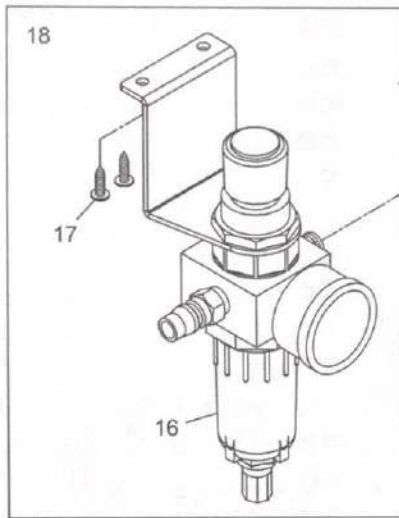
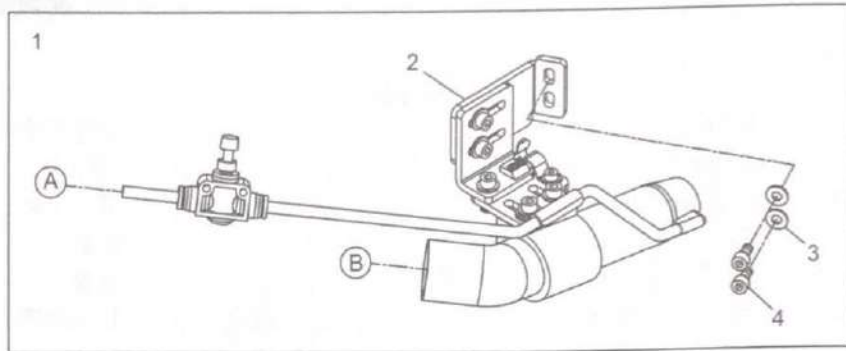
21

Ref.	Parts.	Description	品名	Amt.
No.	No.			Req.
1	B2101	Knife Holder Guide Collar, C. Set.....	活動刀組.....	1
2	A0733	Knife Holder Shank Support.....	上切刀固定座支架.....	1
3	A0734	Knife Holder Spring.....	上切刀固定座彈簧.....	1
4	A0735	Knife Holder Guide Collar.....	上切刀彈簧固定座.....	1
5	A0736	Screw(9/64-40x10.3).....	螺絲.....	1
6	B2106	Knife Holder Shank.....	上切刀固定座柄.....	1
7	A0739	Screw(3/32-56x3.8).....	螺絲.....	1
8	B2108	Knife Support.....	上切刀支架.....	1
9	B2109	Upper Knife.....	上切刀.....	1
10	B2110	Knife Holder.....	上切刀固定座.....	1
11	B2111	Screw(3/32-56x7).....	螺絲.....	2
12	A0745	Screw(1/4-40x5).....	螺絲.....	1





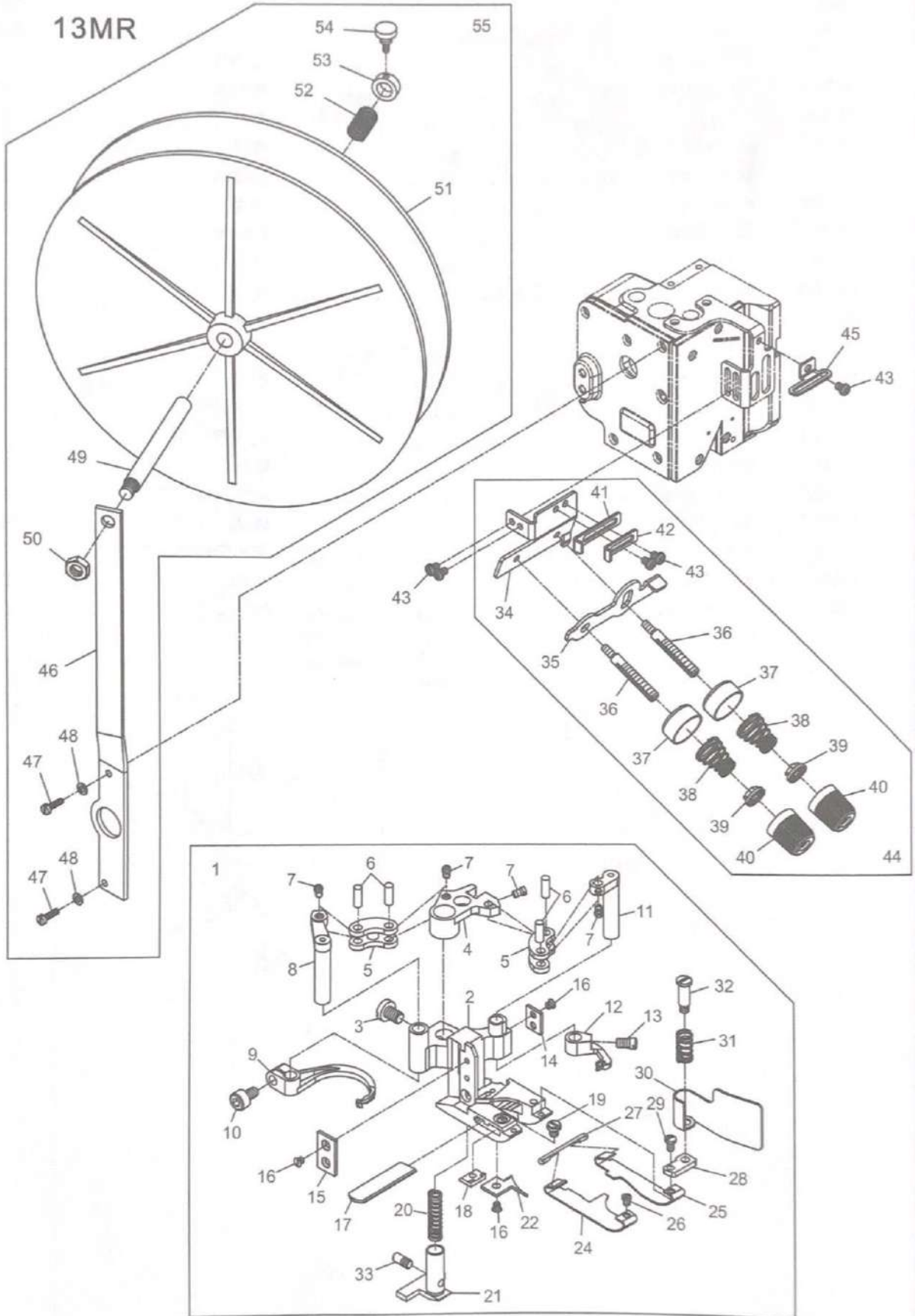
<u>Ref.</u>	<u>Parts.</u>			<u>Amt.</u>
<u>No.</u>	<u>No.</u>	<u>Description</u>	<u>品 名</u>	<u>Req.</u>
1	B2572	Presser Bar Lifter Lever.....	抬壓腳連杆.....	1
2	B1402	Screw (M5-0.8x10).....	螺絲.....	1
3	B2537	Cylinder Support Plate.....	氣缸支架.....	1
4	B23104	Cylinder.....	氣缸.....	1
5	B23105	Nut.....	螺帽.....	1
6	B23106	Air Tube Joint.....	快速接頭.....	2
7	B2519	"Y" Joint.....	Y接頭.....	1
8	B1410	Screw (M5-0.8x5).....	螺絲.....	1
9	B2522	Washer.....	墊片.....	4
10	A1313	Screw (M6-1x16).....	螺絲.....	4
11	B22119	Solenoid Valve.....	電磁閥.....	1
12	B17015	Wood Screw.....	螺絲.....	2
13	B23015	Air Tube (4x6x250mm).....	PU管.....	1
14	B23016	Filter Regulator.....	調壓節檢程式.....	1
15	B23017	Wood Screw.....	螺絲.....	2
16	B23018	Air Tube (4x6x900mm).....	PU管.....	2
17	B1435	Spring Washer.....	彈簧墊片.....	2
18	B23108	Presser Bar Lifter Accessories.....	氣動抬壓腳配件.....	1
19	B24016	Filter Regulator, C. Set.....	調壓節檢程式組.....	1
20	B23109	Cylinder, C. Set.....	氣缸組.....	1
21	B22116	Solenoid Valve, C. Set.....	電磁閥組.....	1



<u>Ref.</u> <u>No.</u>	<u>Parts.</u> <u>No.</u>	<u>Description</u>	<u>品 名</u>	<u>Amt.</u> <u>Req.</u>
1	B17001	Suction Pipe Unit, C.Set.....	吸布管組.....	1
2	B17002	Suction Pipe Unit.....	吸布管.....	1
3	B17003	Washer.....	墊片.....	2
4	B1402	Screw(M5-0.8x10).....	螺絲.....	2
5	B17005	Take Over, C.Set.....	接管組.....	1
6	B17006	Hose Band.....	管束.....	1
7	B17007	Take Over.....	轉接頭.....	1
8	B17008	Spiral Pipe.....	螺旋管.....	1
9	B17009	Waste Gather System, C.Set.....	集布袋組.....	1
10	B17010	Waste Gather Cover.....	集布蓋.....	1
11	B17011	Waste Gather Bag.....	集布袋.....	1
12	B17012	Wood Screw.....	螺絲.....	4
13	B23113	Solenoid Valve, C.Set.....	電磁閥組.....	1
14	B23111	Solenoid Valve.....	電磁閥.....	1
15	B17015	Wood Screw.....	螺絲.....	2
16	B23016	Filter Regulator.....	調壓篩檢程式.....	1
17	B23017	Wood Screw.....	螺絲.....	2
18	B24016	Filter Regulator, C.Set.....	調壓篩檢程式組.....	1
19	B23015	Air Tube(4x6x250mm).....	PU管.....	2
20	B23018	Air Tube(4x6x900mm).....	PU管.....	2

24

13MR



13MR EXCLUSIVE PARTS

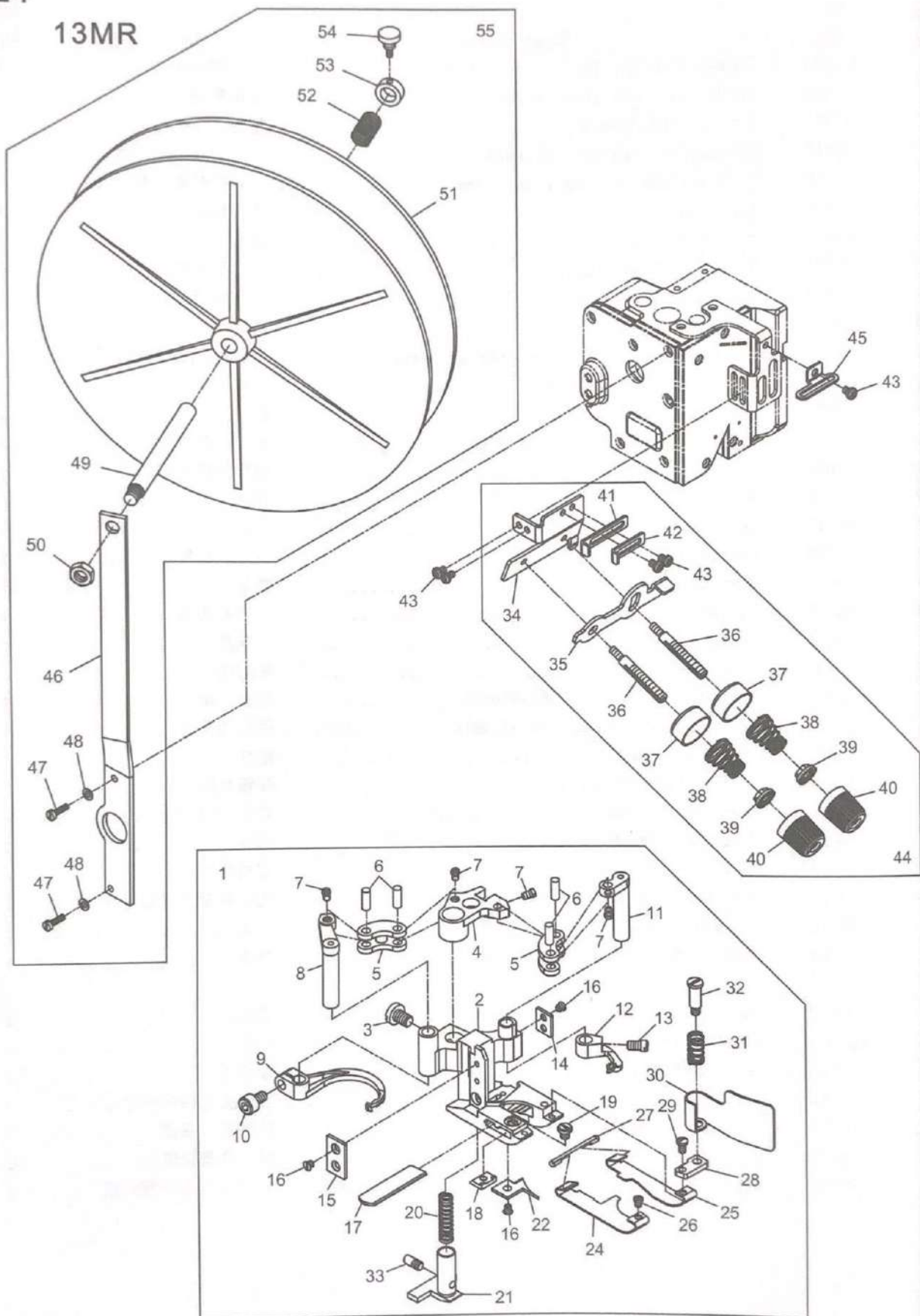
專用零件

24

Ref.	Parts.	Description	品名	Amt.
No.	No.			Req.
1	B25001	Double Side Cut Presser Foot.C.Set.....	雙切壓腳組.....	1
2	B25002	Double Side Cut Presser Foot.....	雙切壓腳.....	1
3	A0616	Screw(11/64-40x6.5).....	螺絲.....	1
4	A0617	Carrier/Hook Driving Segment.....	上勾針驅動扇形片.....	1
5	A0618	Carrier/Hook Driving Lever Link.....	上勾針驅動連杆.....	24
6	A0619	Link Pin.....	連杆插銷.....	4
7	A0620	Screw(3/32-56x3.3).....	螺絲.....	1
8	A0621	Thread Hook Driving Lever.....	勾針驅動杆.....	1
9	A0622	Top Cover Thread Hook.....	上飾線過線勾.....	1
10	A0623	Screw(9/64-40x7).....	螺絲.....	1
11	A0624	Top Cover Thread Carrier Driving Lever.....	上飾線托架驅動杆.....	1
12	A0625	Top Cover Thread Carrier.....	上飾線托架.....	1
13	A0626	Screw(1/8-44x5.3).....	螺絲.....	1
14	A0627	Presser Foot Attach Piece(Right).....	壓腳連接片(右).....	1
15	A0628	Presser Foot Attach Piece(Left).....	壓腳連接片(左).....	1
16	A0629	Screw(3/32-56x2.5).....	螺絲.....	5
17	B1917	Lower Knife.....	下切刀.....	1
18	A1218	Lower Knife Clamp.....	下切刀夾板.....	1
19	A0632	Screw(1/8-44x3.5).....	螺絲.....	1
20	A0633	Yielding Section Spring.....	小壓具彈簧.....	1
21	A1221	Yielding Section.....	小壓具.....	1
22	A1222	Presser Foot Tongue.....	壓腳舌片.....	1
23	A1224	Presser Foot Spring Plate(Left).....	壓腳彈簧片(左).....	1
24	A1225	Presser Foot Spring Plate(Right).....	壓腳彈簧片(右).....	1
25	A0638	Screw(3/32-56x2.6).....	螺絲.....	1
26	A0639	Spring Plate Holder.....	彈簧片固定鐵勾.....	1
27	A0635	Chip Guard Plate.....	切角防護片座.....	1
28	A0664	Screw(3/32-56x4).....	螺絲.....	1
29	A1228	Chip Guard.....	切角防護片.....	1
30	A0641	Chip Guard Spring.....	切角防護片彈簧.....	1
31	A0642	Screw(1/8-44x2.2).....	螺絲.....	1
32	A0506	Screw(1/8-44x4).....	螺絲.....	1
33				
34	B25034	Guide.....	固定板.....	1
35	B25035	Tension Dist.....	夾布片.....	1
36	B25036	Screw Stud.....	螺樁.....	2
37	C03005	Thread Tension Spring Retainer.....	上線張力彈簧固定座.....	2
38	C03003	Tension Spring(Needle).....	針線張力彈簧.....	2
39	C03002	Tension Spring Bushing.....	張力彈簧套管.....	2
40	C03001	Thread Tension Spring Cap.....	上線張力彈簧調整鈕.....	2

24

13MR

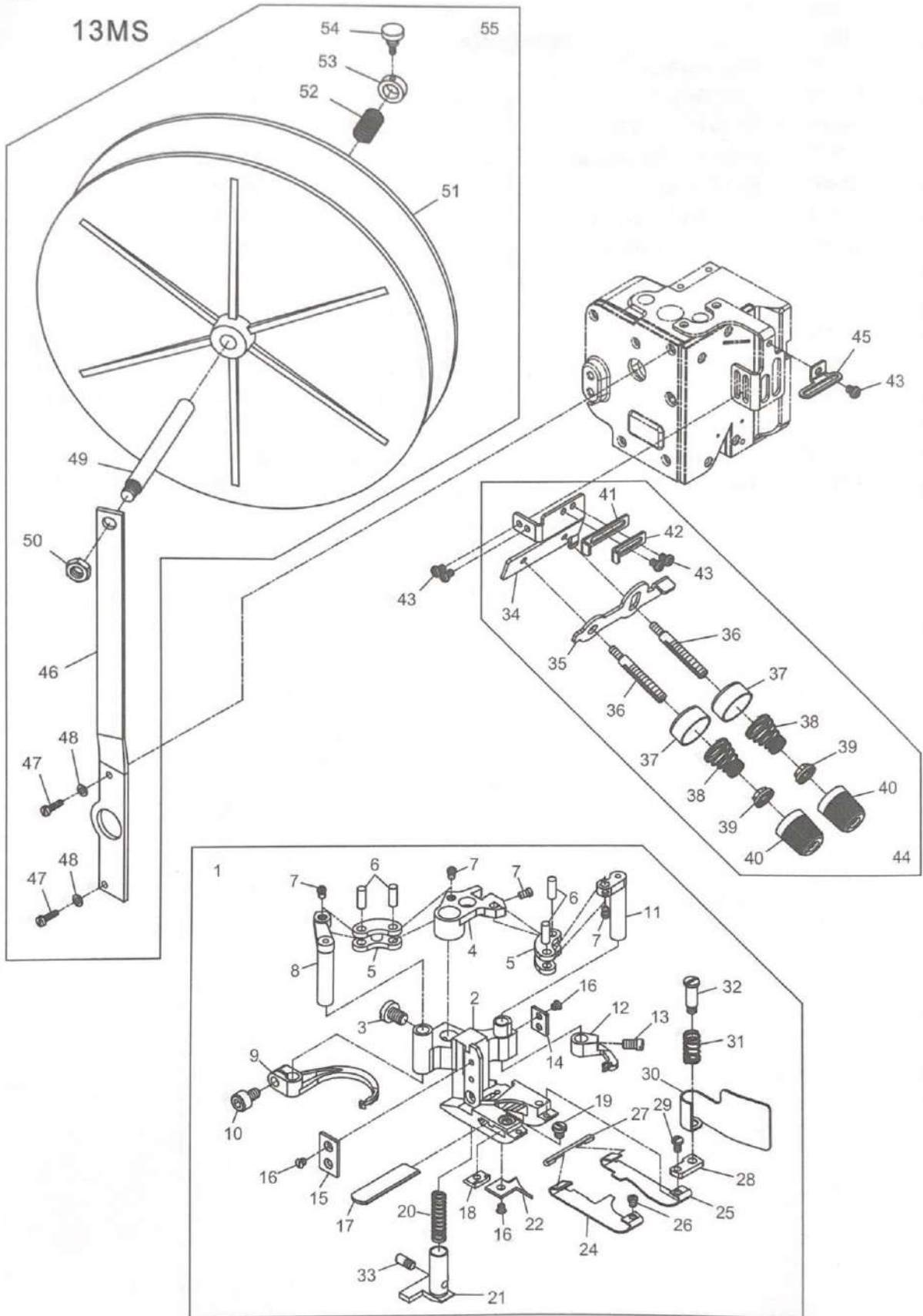


13MR EXCLUSIVE PARTS

<u>Ref.</u>	<u>Parts.</u>	<u>Description</u>	<u>專用零件</u>	<u>24</u>
<u>No.</u>	<u>No.</u>		<u>品 名</u>	<u>Amt.</u>
				<u>Req.</u>
41	B25041	Tape Guide.....	導布片.....	1
42	B25042	Tape Guide.....	導布片.....	1
43	C02044	Screw (M4-0.7x5).....	螺絲.....	5
44	B25044	Tension Dist Assembly.....	夾布片組.....	1
45	B25045	Tape Guide.....	導布片.....	1
46	B25046	Tape Reel Support.....	支撐架.....	1
47	B25047	Screw (9/64-40x12).....	螺絲.....	2
48	B25048	Washer.....	墊片.....	2
49	B25049	Tape Reel Shaft.....	支撐杆.....	1
50	B25050	Nut.....	螺帽.....	1
51	B25051	Tape Base.....	塑膠盤.....	2
52	B25052	Spring.....	彈簧.....	1
53	B25053	Collar.....	軸環.....	1
54	C16005	Screw.....	螺絲.....	1
55	B25055	Tape Base, C. Set.....	塑膠盤組.....	1

25

13MS



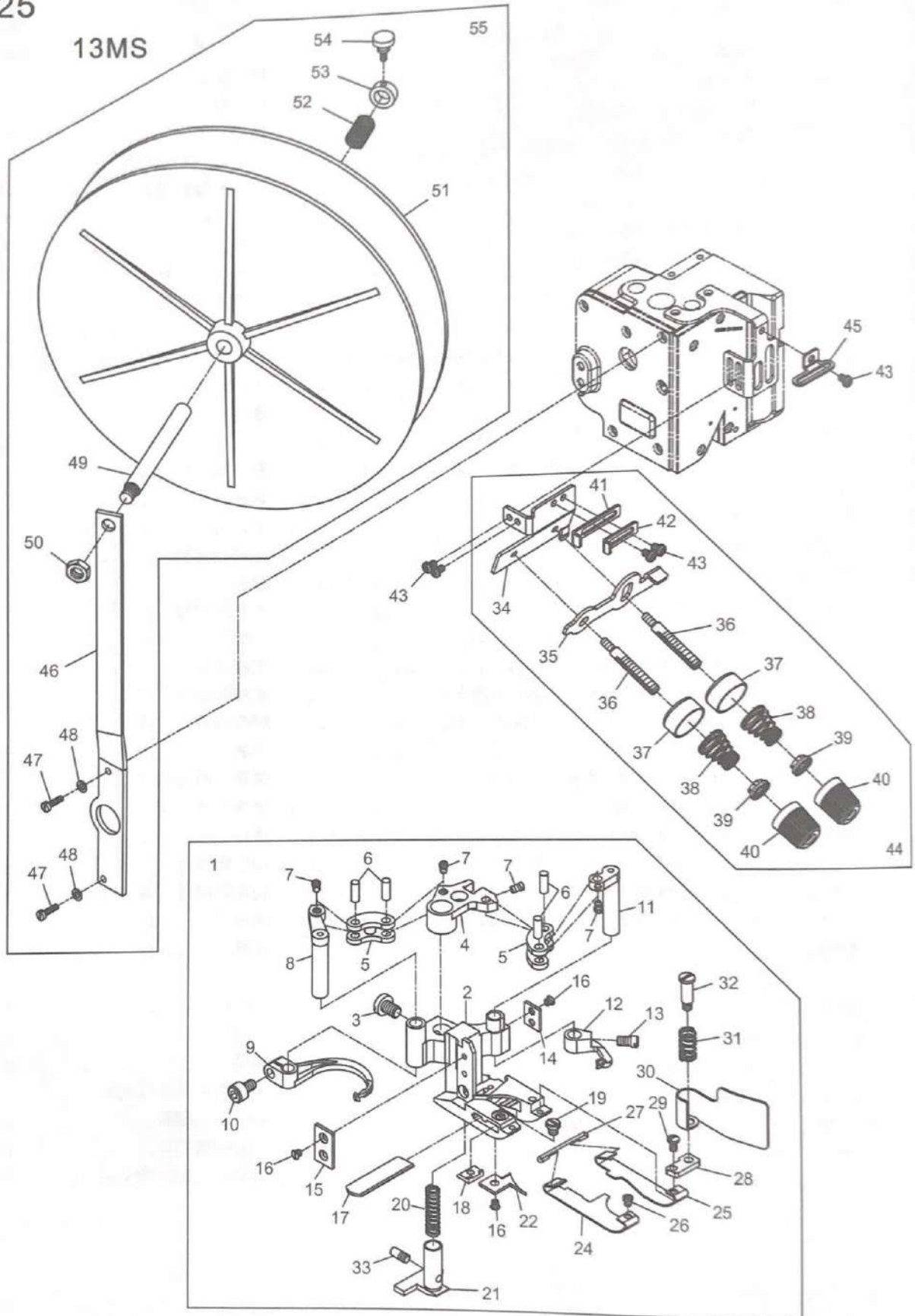
13MS EXCLUSIVE PARTS

Ref.	Parts.	Description	品名	Amt.
No.	No.			Req.
1	B27001	Double Side Cut Presser Foot. C. Set.....	雙切壓腳組.....	1
2	B27002	Double Side Cut Presser Foot.....	雙切壓腳.....	1
3	A0616	Screw(11/64-40x6.5).....	螺絲.....	1
4	A0617	Carrier/Hook Driving Segment.....	上勾針驅動扇形片.....	1
5	A0618	Carrier/Hook Driving Lever Link.....	上勾針驅動連杆.....	2
6	A0619	Link Pin.....	連杆插銷.....	4
7	A0620	Screw(3/32-56x3.3).....	螺絲.....	4
8	A0621	Thread Hook Driving Lever.....	勾針驅動杆.....	1
9	A0622	Top Cover Thread Hook.....	上飾線過線勾.....	1
10	A0623	Screw(9/64-40x7).....	螺絲.....	1
11	A0624	Top Cover Thread Carrier Driving Lever.....	上飾線托架驅動杆.....	1
12	A0669	Top Cover Thread Carrier.....	上飾線托架.....	1
13	A0626	Screw(1/8-44x5.3).....	螺絲.....	1
14	A0627	Presser Foot Attach Piece(Right).....	壓腳連接片(右).....	1
15	A0628	Presser Foot Attach Piece(Left).....	壓腳連接片(左).....	1
16	A0629	Screw(3/32-56x2.5).....	螺絲.....	5
17	B1917	Lower Knife.....	下切刀.....	1
18	A1218	Lower Knife Clamp.....	下切刀夾板.....	1
19	A0632	Screw(1/8-44x3.5).....	螺絲.....	1
20	A0633	Yielding Section Spring.....	小壓具彈簧.....	1
21	A1221	Yielding Section.....	小壓具.....	1
22	A1222	Presser Foot Tongue.....	壓腳舌片.....	1
23	A1224	Presser Foot Spring Plate(Left).....	壓腳彈簧片(左).....	1
24	A1225	Presser Foot Spring Plate(Right).....	壓腳彈簧片(右).....	1
25	A0638	Screw(3/32-56x2.6).....	螺絲.....	1
26	A0639	Spring Plate Holder.....	彈簧片固定鐵勾.....	1
27	A0635	Chip Guard Plate.....	切角防護片座.....	1
28	A0664	Screw(3/32-56x4).....	螺絲.....	1
29	A1228	Chip Guard.....	切角防護片.....	1
30	A0641	Chip Guard Spring.....	切角防護片彈簧.....	1
31	A0642	Screw(1/8-44x2.2).....	螺絲.....	1
32	A0506	Screw(1/8-44x4).....	螺絲.....	1
33				
34	B25034	Guide.....	固定板.....	1
35	B25035	Tension Dist.....	夾布片.....	1
36	B25036	Screw Stud.....	螺樁.....	2
37	C03005	Thread Tension Spring Retainer.....	上線張力彈簧固定座.....	2
38	C03003	Tension Spring(Needle).....	針線張力彈簧.....	2
39	C03002	Tension Spring Bushing.....	張力彈簧套管.....	2
40	C03001	Thread Tension Spring Cap.....	上線張力彈簧調整鈕.....	2

專用零件

25

25



13MS EXCLUSIVE PARTS

專用零件

25

<u>Ref.</u>	<u>Parts.</u>	<u>Description</u>	<u>品 名</u>	<u>Amt.</u>
<u>No.</u>	<u>No.</u>			<u>Req.</u>
41	B25041	Tape Guide.....	導布片.....	1
42	B25042	Tape Guide.....	導布片.....	1
43	C02044	Screw(M4-0.7x5).....	螺絲.....	5
44	B25044	Tension Dist Assembly.....	夾布片組.....	1
45	B25045	Tape Guide.....	導布片.....	1
46	B25046	Tape Reel Support.....	支撐架.....	1
47	B25047	Screw(9/64-40x12).....	螺絲.....	2
48	B25048	Washer.....	墊片.....	2
49	B25049	Tape Reel Shaft.....	支撐杆.....	1
50	B25050	Nut.....	螺帽.....	1
51	B25051	Tape Base.....	塑膠盤.....	2
52	B25052	Spring.....	彈簧.....	1
53	B25053	Collar.....	軸環.....	1
54	C16005	Screw.....	螺絲.....	1
55	B25055	Tape Base, C. Set.....	塑膠盤組.....	1

四針六線零件冊 料號B索引

料號	頁數	項次
B11035	1	42
B11035	11	35
B1402	14	2
B1402	17	4
B1402	22	2
B1402	23	4
B1410	14	10
B1410	22	8
B14103	14	15
B1412	14	12
B1414-LC	14	14
B14211	14	11
B1435	14	5
B1435	22	17
B1501	15	1
B1502	15	2
B1503	15	3
B1504	15	4
B1505	15	5
B1506	15	6
B1506-1	15	6-1
B1507	15	7
B1508	15	8
B1509	15	9
B1510	15	10
B1511	15	11
B15128	15	28
B15129	15	29
B15129-1	15	29-1
B15130	15	30
B15131	15	31
B1517	15	17
B1518	15	18
B1520	15	20
B1521	15	21
B1522	15	22
B1523	15	23
B1524	15	24
B1525	15	25
B1527	15	27
B15316	15	16
B1535	15	35
B1536	15	36
B1537	15	37
B16001	16	1
B16002	16	2

料號	頁數	項次
B16003	16	3
B16004	16	4
B16005	16	5
B16006	16	6
B16007	16	7
B16008	16	8
B16009	16	9
B16010	16	10
B16011	16	11
B16012	16	12
B16013	16	13
B16014	16	14
B16015	16	15
B16016	16	16
B16017	16	17
B16018	16	18
B16019	16	19
B16020	16	20
B16021	16	21
B16022	16	22
B16023	16	23
B16024	16	24
B16025	16	25
B16026	16	26
B17001	17	1
B17001	23	1
B17002	17	2
B17002	23	2
B17003	17	3
B17003	23	3
B17005	17	5
B17005	23	5
B17006	17	6
B17006	23	6
B17007	17	7
B17007	23	7
B17008	17	8
B17008	23	8
B17009	17	9
B17009	23	9
B17010	17	10
B17010	23	10
B17011	17	11
B17011	23	11
B17012	17	12
B17012	23	12

料號	頁數	項次
B17013	17	13
B17014	17	14
B17015	17	15
B17015	22	12
B17015	23	15
B1901	20	1
B1902	20	2
B1917	20	17
B1917	24	17
B1917	25	17
B1922	20	22
B1924	20	24
B1925	20	25
B1933	20	34
B1934	20	41
B2101	21	1
B2106	21	6
B2108	21	8
B2109	21	9
B2110	21	10
B2111	21	11
B2202	22	2
B2205	22	1
B22116	22	21
B22119	22	11
B2234	22	34
B23015	17	19
B23015	22	13
B23015	23	19
B23016	17	16
B23016	22	14
B23016	23	16
B23017	17	17
B23017	22	15
B23017	23	17
B23018	22	16
B23018	23	20
B2305	22	33
B23104	22	4
B23105	22	5
B23106	22	6
B23108-LC	22	18
B23109	22	20
B23111	23	14
B23113	23	13
B24016	17	18

